

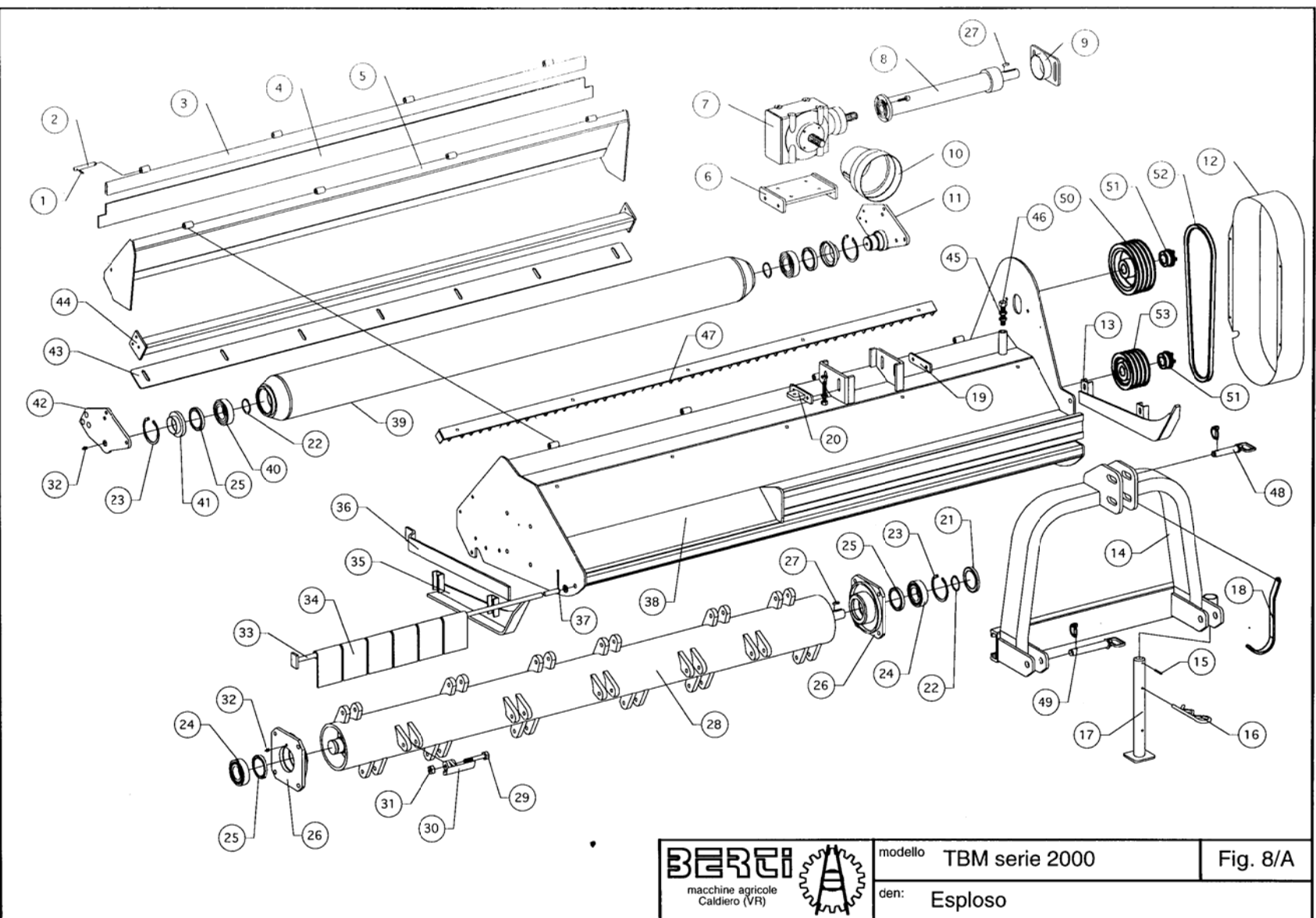


TBM 2000 - 2013

BERTI SPARE PARTS REFERENCE GUIDE



Mod. TBM Serie 2000



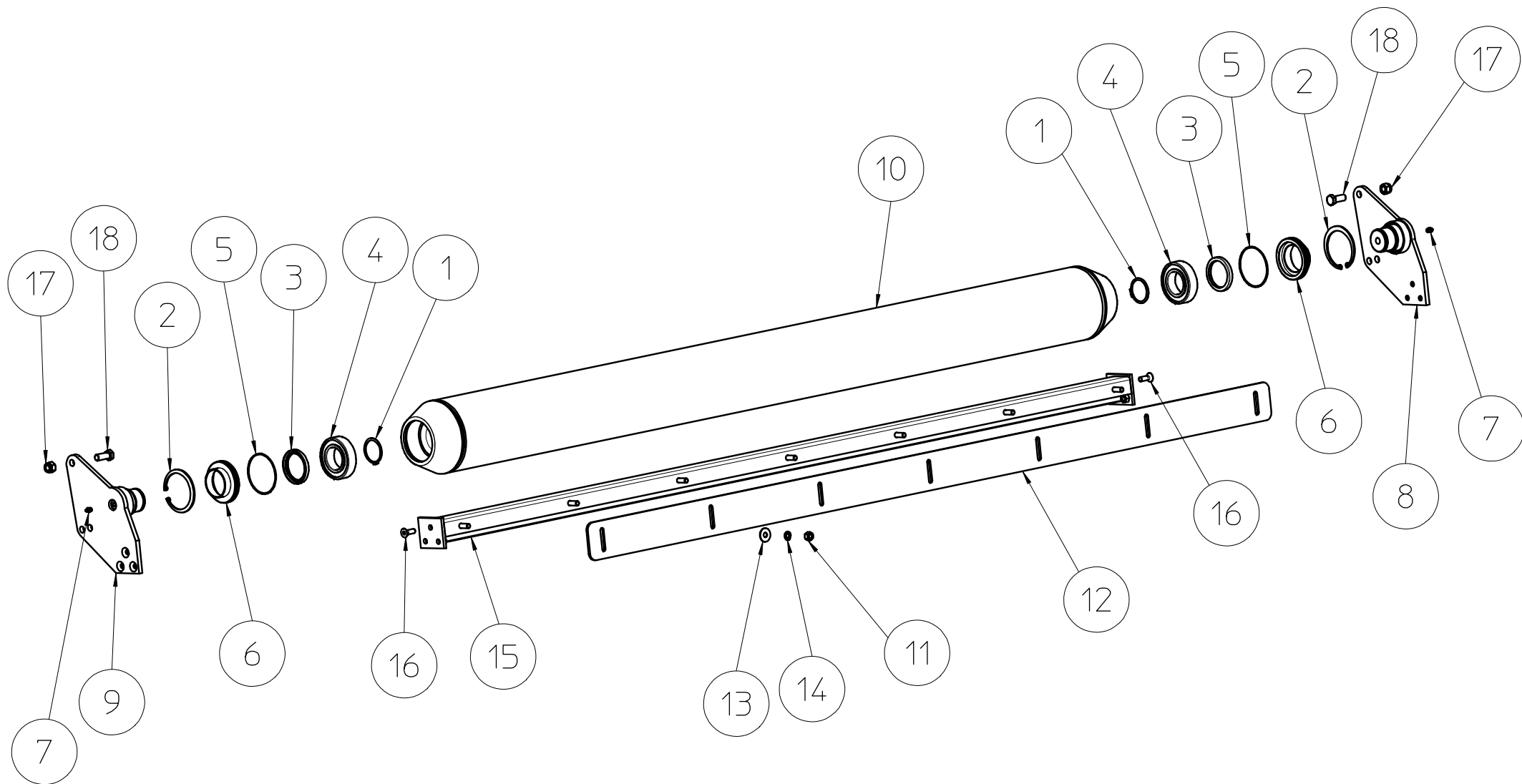
Parts List:


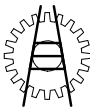

Mod. TBM 140-250 serie 2000

fig. 8/A

BERTI MACCHINE AGRICOLE S.p.A.

Pos.	ITEM	TBM 140	TBM 160	TBM 180	TBM 200	TBM 220	TBM 250	
1	ELASTIC PIN 6x26	SE06060	SE06060	SE06060	SE06060	SE06060	SE06060	
2	HINGE PIN	PE0150110	PE0150110	PE0150110	PE0150110	PE0150110	PE0150110	
3	RUBBER PROTECTION SUPPORT	SP041320	SP041520	SP041720	SP041920	SP042120	PG2420/0285	
4	RUBBER PROTECTION	LT06180L1400	LT06180L1600	LT06180L1800	LT06180L2000	LT06180L2200	LT06180L2500	
5	HOOD	CO140/0002	CO160/0002	CO180/0002	CO200/0002	CO220/0002	CO250/0002	
6	GEARBOX SUPPORT	*	*	*	*	*	*	
7	GEARBOX	*	*	*	*	*	*	
8	EXTENSION	*	*	*	*	*	*	
9	BELT ADJUSTER	PT08/0010	PT08/0010	PT08/0010	PT08/0010	PT08/0010	PT08/0010	
10	PTO CONE	CC004	CC004	CC005	CC005	CC005	CC005	
11	LH ROLLER BRACKET	PR193SX/1746	PR193SX/1746	PR193SX/1746	PR193SX/1746	PR193SX/1746	PR193SX/1746	
12	COVER	CT/0029	CT/0029	CT/0029	CT/0029	CT/0029	CT/2053	
13	LH SKID	SL203SX/0021	SL203SX/0021	SL203SX/0021	SL203SX/0021	SL203SX/0021	SL203SX/0021	
14	THREE POINT LINKAGE	TC0830/0062	TC0830/0062	TC0830/0062	TC0830/0062	TC0870/0063	TC0870/0063	
15	ELASTIC PIN	SE06060	SE06060	SE06060	SE06060	SE06060	SE06060	
16	SPRING	MF070550205Z	MF070550205Z	MF070550205Z	MF070550205Z	MF070550205Z	MF070550205Z	
17	PARKING STAND	PA48440	PA48440	PA48440	PA48440	PA48440	PA48440	
18	UNIVERSAL JOINT SUPPORT	SC/0352	SC/0352	SC/0352	SC/0352	SC/0352	SC/0352	
19	GEARBOX FIXING PLATE	PF08/0009	PF08/0009	PF08/0009	PF08/0009	PF08/0009	PF08/0009	
20	GEARBOX ADJUSTING PLATE	PR08/0009	PR08/0009	PR08/0009	PR08/0009	PR08/0009	PR08/0009	
21	SEAL RING	AT06011012	AT06011012	AT06011012	AT06011012	AT06011012	AT06011012	
22	CIRCLIP	ASE060	ASE060	ASE060	ASE060	ASE060	ASE060	
23	CIRCLIP	ASI110	ASI110	ASI110	ASI110	ASI110	ASI110	
24	BEARING	003.07	003.07	003.07	003.07	003.07	003.07	
25	SEAL RING	AT07010010	AT07010010	AT07010010	AT07010010	AT07010010	AT07010010	
26	ROTOR HOUSING	SR159/0026	SR159/0026	SR159/0026	SR159/0026	SR159/0026	SR159/0026	
27	KEY 12x8x20	CH1208020	CH1208020	CH1208020	CH1208020	CH1208020	CH1208020	
28	ROTOR	RB159140/0012	RB159160/0013	RB159180/0014	RB159200/0015	RB159220/0016	RB159250/0127	
29	SCREW	014.01	014.01	014.01	014.01	014.01	014.01	
30	BERTI "L" HAMMER	MP-0008	MP-0008	MP-0008	MP-0008	MP-0008	MP-0008	
31	SELF LOCKING NUT	014.01	014.01	014.01	014.01	014.01	014.01	
32	GREASE NIPPLE	IN101XXDR	IN101XXDR	IN101XXDR	IN101XXDR	IN101XXDR	IN101XXDR	
33	FLAP ROD	PE0181430	PE0181630	PE0181830	PE0182030	PE0182230	PE0182230	
34	FLAP	PA04/2217	PA04/2217	PA04/2217	PA04/2217	PA04/2217	PA04/2217	
35	RH SKID	SL203DX/0021	SL203DX/0021	SL203DX/0021	SL203DX/0021	SL203DX/0021	SL203DX/0021	
36	SIDE PROTECTION	PL100600	PL100600	PL100600	PL100600	PL100600	PL100600	
37	SPLIT PIN	CF032070	CF032070	CF032070	CF032070	CF032070	CF032070	
38	MAIN CHASSIS	CC140/0368	CC160/0368	CC180/0368	CC200/0368	CC220/0368	CCCTBM250/0368	
39	ROLLER	RL193140	RL193160	RL193180	RL193200	RL193220	RL193250	
40	BEARING	003.03	003.03	003.03	003.03	003.03	003.03	
41	SEAL CAGE	GP193/1485	GP193/1485	GP193/1485	GP193/1485	GP193/1485	GP193/1485	
42	RH ROLLER BRACKET	PR193DX/1746	PR193DX/1746	PR193DX/1746	PR193DX/1746	PR193DX/1746	PR193DX/1746	
43	SCRAPER	RF061380	RF061580	RF061780	RF061980	RF062180	RF062480	

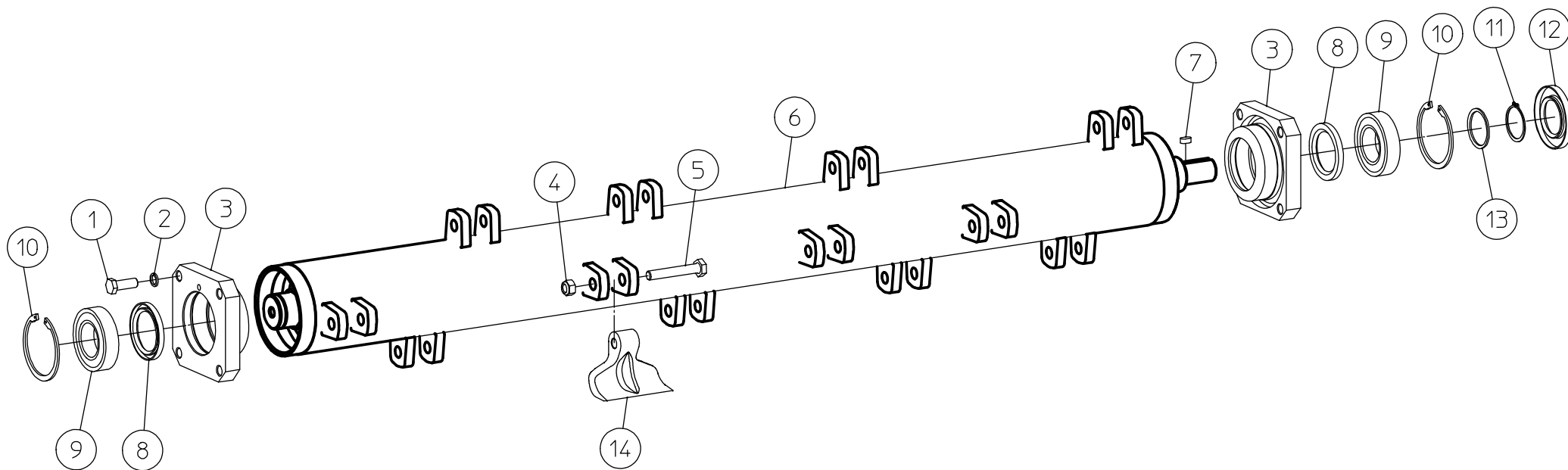



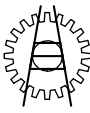
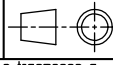
 macchine agricole spa Caldiero (VR)		mod. Vari	 0 0 . 0 5 . 0 1 1 1 . 0 0 0 4
		mat.	
des. Esploso rullo D. 193 TBM-S TFH-M			
data 17/01/11	dis. Diego	cod. 00.05.0111.0004	rev. 00
<small>© Le informazioni contenute nel presente documento sono di proprietà della BERTI MACCHINE AGRICOLE SPA e non possono essere riprodotte o trasmesse a terzi in alcun modo senza esplicita approvazione scritta della BERTI MACCHINE AGRICOLE SPA o di un suo rappresentante debitamente autorizzato.</small>			

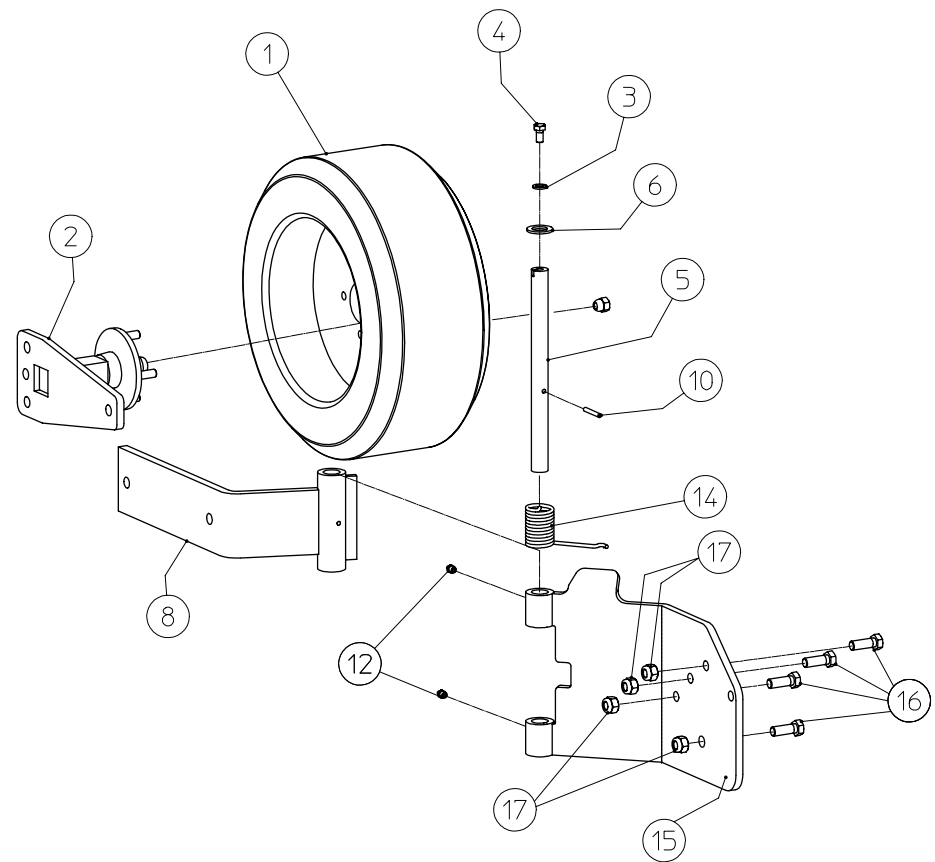
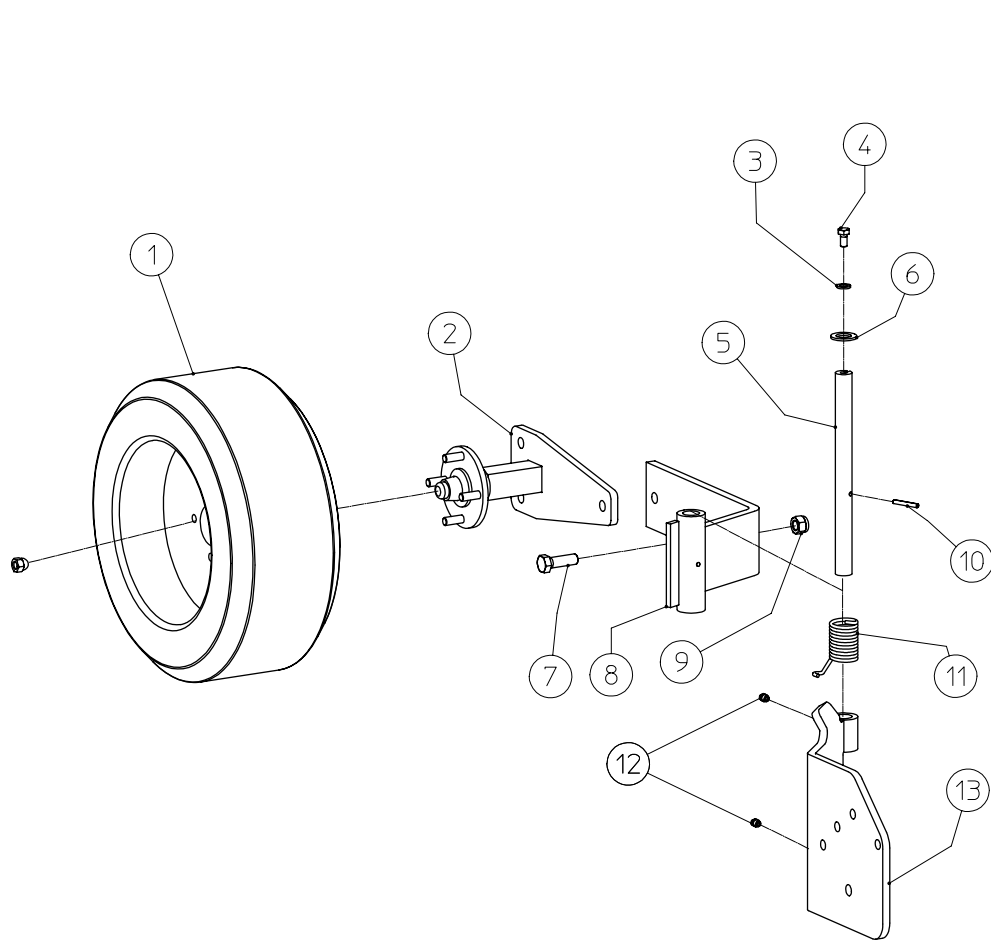
POS.	DESCRIPTION	180	200	220	250	270	285	300
1	CIRCLIP	ASE060	ASE060	ASE060	ASE060	ASE060	ASE060	ASE060
2	CIRCLIP	ASI110	ASI110	ASI110	ASI110	ASI110	ASI110	ASI110
3	SEAL RING 70X90X10	AT07009010	AT07009010	AT07009010	AT07009010	AT07009010	AT07009010	AT07009010
4	BALL BEARING **	003.03	003.03	003.03	003.03	003.03	003.03	003.03
5	OR RING	GOR4400	GOR4400	GOR4400	GOR4400	GOR4400	GOR4400	GOR4400
6	OIL SEAL PROTECTION	GP193/4489	GP193/4489	GP193/4489	GP193/4489	GP193/4489	GP193/4489	GP193/4489
7	GREASE NIPPLE	IN101XXDR	IN101XXDR	IN101XXDR	IN101XXDR	IN101XXDR	IN101XXDR	IN101XXDR
8	ROLLER BRACKET (RIGHT)	PR193DX/1746	PR193DX/1746	PR193DX/1746	PR193DX/1746	PR193DX/1746	PR193DX/1746	PR193DX/1746
9	ROLLER BRACKET (LEFT)	PR193SX/1746	PR193SX/1746	PR193SX/1746	PR193SX/1746	PR193SX/1746	PR193SX/1746	PR193SX/1746
10	ROLLER	RL193180	RL193200	RL193220	RL193250	RL193270	RL193285	RL193300
11	NUT	DE12AL6SPGN	DE12AL6SPGN	DE12AL6SPGN	DE12AL6SPGN	DE12AL6SPGN	DE12AL6SPGN	DE12AL6SPGN
12	SCRAPER	RF061780	RF061980	RF062180	RF062480	RF062680	RF062830	RF062980
13	WASHER	RF1236FN	RF1236FN	RF1236FN	RF1236FN	RF1236FN	RF1236FN	RF1236FN
14	GROWER WASHER	RG12XXARN	RG12XXARN	RG12XXARN	RG12XXARN	RG12XXARN	RG12XXARN	RG12XXARN
15	SCRAPER SUPPORT	SRTBM180	SRTBM200	SRTBM220	SRTBM250	SRTBM270	SRTBM285	SRTBM300
16	SCREW 12X35	V120353TF109N	V120353TF109N	V120353TF109N	V120353TF109N	V120353TF109N	V120353TF109N	V120353TF109N
17	SELF LOCKING NUT	DE16AL6SPGZAB	DE16AL6SPGZAB	DE16AL6SPGZAB	DE16AL6SPGZAB	DE16AL6SPGZAB	DE16AL6SPGZAB	DE16AL6SPGZAB
18	SCREW 16X40	V160402TF109N	V160402TF109N	V160402TF109N	V160402TF109N	V160402TF109N	V160402TF109N	V160402TF109N

** ROLLER BEARING (on request only):


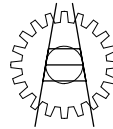
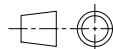
Part #: 003.07



 macchine agricole spa Caldiero (VR)		mod. VARI
		mat. _____
des. Esploso rotore TIPO "A"		
data 02/09/08	dis. Andrea	cod. 00.04.6
		rev. 00
		
<small>© Le informazioni contenute nel presente documento sono di proprietà della BERTI MACCHINE AGRICOLE SPA e non possono essere riprodotte o trasmesse a terzi in alcun modo senza esplicita approvazione scritta della BERTI MACCHINE AGRICOLE SPA o di un suo rappresentante debitamente autorizzato.</small>		



© Le informazioni contenute nel presente documento sono di proprietà della BERTI MACCHINE AGRICOLE SRL e non possono essere riprodotte o trasmesse a terzi in alcun modo senza esplicita approvazione scritta della BERTI MACCHINE AGRICOLE SRL o di un suo rappresentante debitamente autorizzato.

 macchine agricole srl Caldiero (VR)		mod. TBM	dis.n° 07.103
		mat.	tratt.
den. Espoloso ruote TBM			
data 04/09/2006	dis. ANDREA	codice 07.103	

CODIFIA ESPLOSO RUOTE TBM

07.103

POS	DENOMINAZIONE	CODICE
1	RUOTA	R460190
2	PIASTRA CON MOZZO RUOTA	PM/2580
3	RONDELLA PIANA D.10	RP10XXFN
4	VITE TE M10x20	V100202TF088N
5	PERNO RUOTA STERZANTE	PE/2583
6	RONDELLA PIANA D.14	RP14XXFN
7	VITE TE M16x50	V160502TF088N
8	SUPPORTO RUOTA STERZANTE	SR/2578
9	DADO M16 AUTOBLOC	DE16AL6SPGZAB
10	SPINA ELASTICA 6x40	SE06040
11	MOLLA DX RUOTA	MD/2759
12	INGRASSATORE	IN101XXDR
13	PIASTRA DX RUOTE STRZANTI	PRD/3749
14	MOLLA SX RUOTA STERZANTE	MS/2760
15	PIASTRA SX RUOTA STERZANTE	PRS/3748
16	VITE TE M14x40	V140402TF088N
17	DADO M14 AUTOBLOC	DE14AL6SPGZAB
18		
19		
20		
21		
22		
23		
24		
25		
26		
27		