

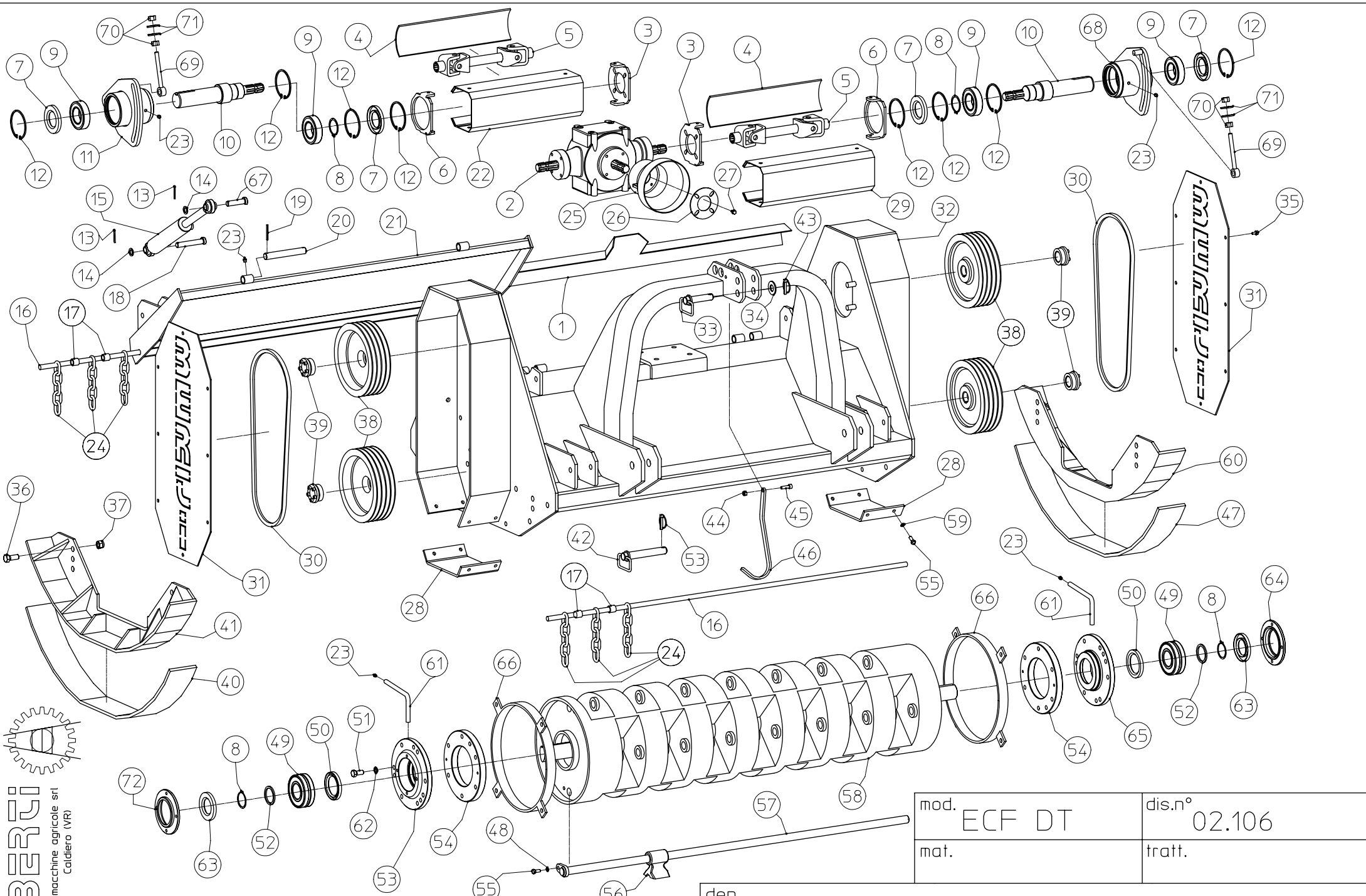


# ECF-DT

BERTI SPARE PARTS REFERENCE GUIDE

---





**BERTI**  
 macchine agricole srl  
 Caldiero (VR)

© Le informazioni contenute nel presente documento sono di proprietà della BERTI MACCHINE AGRICOLE SRL e non possono essere riprodotte o trasmesse a terzi in alcun modo senza esplicita approvazione scritta della BERTI MACCHINE AGRICOLE SRL o di un suo rappresentante debitamente autorizzato.

mod.	ECF DT	dis.n°	02.106
mat.		tratt.	

den. Esploso ECF DT			
data	dis.	codice	
02/05/2006	ANDREA	02.106	

Pos.	ITEM	ECF 180	ECF 200	ECF 220	ECF 250			
1	COVER FOR HOSES	PT1100/0610	PT1300/0610	PT1500/0610	PT1800/0610			
2	GEARBOX	*	*	*	*			
3	CLOSING PLATE	CC/0208	CC/0208	CC/0208	CC/0208			
4	RUBBER COVER	LT06180L560	LT06180L790	LT06180L880	LT06180L1030			
5	PTO SHAFT for transmission	C60HP0800SP	C60HP0800SP	C60HP0800SP	C60HP0800SP			
6	CLOSING PLATE	PA/3130	PA/3130	PA/3130	PA/3130			
7	SEAL RING	AT06011012	AT06011012	AT06011012	AT06011012			
8	CIRCLIP e 60	ASE060	ASE060	ASE060	ASE060			
9	BEARING	003.07	003.07	003.07	003.07			
10	TRANSMISSION SHAFT Ø 60	AT/2812	AT/2812	AT/2812	AT/2812			
11	BELTS ADJUSTER (RH)	ST/3280	ST/3280	ST/3280	ST/3280			
12	CIRCLIP I 110	ASI110	ASI110	ASI110	ASI110			
13	PIN	CF005060	CF005060	CF005060	CF005060			
14	WASHER Ø 19	RP19XXFZ	RP19XXFZ	RP19XXFZ	RP19XXFZ			
15	CYLINDER FOR HOOD	MICECF	MICECF	MICECF	MICECF			
16	BAR FOR CHAINS	PE0181830	PE0182030	PE0182230	PE0182530			
17	SPACER FOR CHAINS	DC283L25	DC283L25	DC283L25	DC283L25			
18	PIN	SI/3515	SI/3515	SI/3515	SI/3515			
19	ELASTIC PIN	SE06060	SE06060	SE06060	SE06060			
20	PIN FOR HINGE	PE0250180	PE0250180	PE0250180	PE0250180			
21	REAR HOOD	CO180/0596	CO200/0596	CO220/0596	CO250/0596			
22	PROTECTION	PC0560/0578	PC0790/0578	PC0880/0578	PC1030/0578			
23	GREASE NIPPLE	IN101XXDR	IN101XXDR	IN101XXDR	IN101XXDR			
24	CHAIN	CGSZ010	CGSZ010	CGSZ010	CGSZ010			
25	PTO CONE	CC005	CC005	CC005	CC005			
26	FLANGE FOR PTO	FRZ/1338	FRZ/1338	FRZ/1338	FRZ/1338			
27	SCREW, TE M8x12	V0801202TF109Z	V0801202TF109Z	V0801202TF109Z	V0801202TF109Z			
28	INFERIOR COVER	CP/0515	CP/0515	CP/0515	CP/0515			
29	PROTECTION	PC0560/0578	PC0790/0578	PC0880/0578	PC1030/0578			
30	BELT, PTO 1000 rpm (**)	993.10	993.10	993.10	993.10			
31	COVER	CC05/0516	CC05/0516	CC05/0516	CC05/0516			
32	MULCHER CHASSIE	CCCECF180/0950	CCCECF200/0950	CCCECF220/0950	CCCECF250/0950			
33	TOP LINK PIN	SP25095Z	SP25095Z	SP25095Z	SP25095Z			
34	WASHER	RF2653FZ	RF2653FZ	RF2653FZ	RF2653FZ			
35	SCREW, TE M10x16	V1001602TF088N	V1001602TF088N	V1001602TF088N	V1001602TF088N			
36	SCREW, TE M18x45	V180452TF088N	V180452TF088N	V180452TF088N	V180452TF088N			
37	NUT M18	DE18AL6SPGZAB	DE18AL6SPGZAB	DE18AL6SPGZAB	DE18AL6SPGZAB			
38	PULLEY, PTO 1000 rpm (**)	PG280G5F90	PG280G5F90	PG280G5F90	PG280G5F90			
39	CENTRE LOCK	CA6090	CA6090	CA6090	CA6090			
40	UNDERPLATE FOR SKID	ZS/1867	ZS/1867	ZS/1867	ZS/1867			
41	SKID	SL/0602	SL/0602	SL/0602	SL/0602			
42	LOW LINKS PIN	SP28165Z	SP28165Z	SP28165Z	SP28165Z			
43	TRIPPING PIN	SSX10Z	SSX10Z	SSX10Z	SSX10Z			

