

BERU[®]

MACCHINE AGRICOLE

GENUINE PARTS



Hammer Flails

83



Y Flails

84



Forestry Flails

86



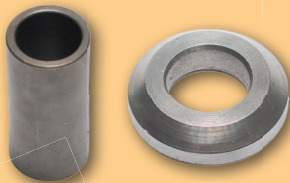
Belts

87



Flail Bolts

88



Bushes & Collars

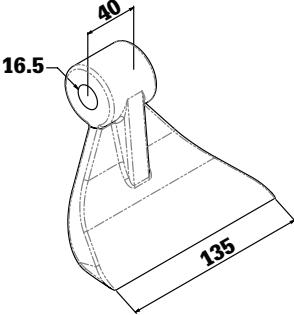
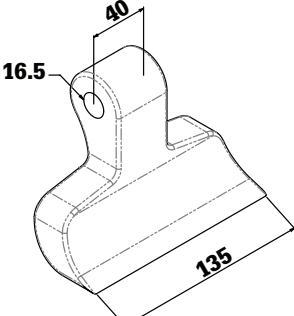
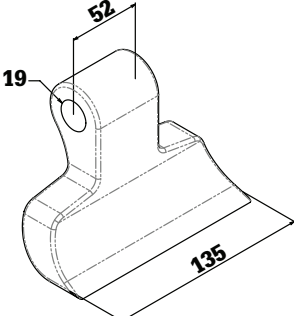
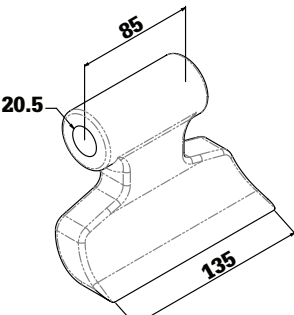
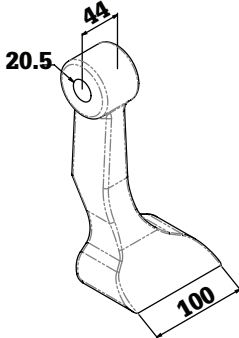
89



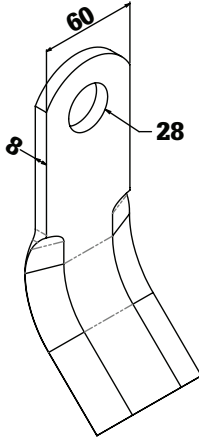
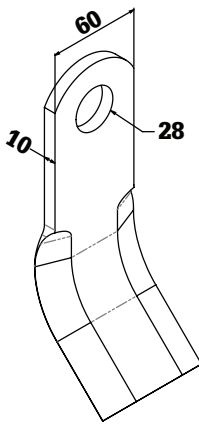
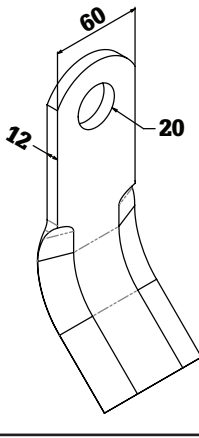
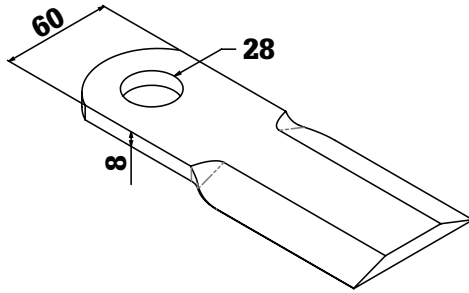
Flaps & Chains

90

HAMMER FLAILS

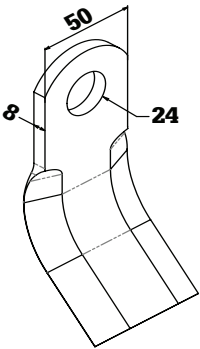
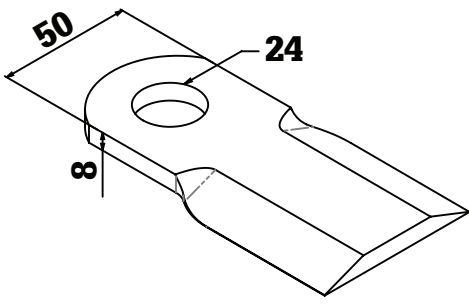
CODE	DIMENSIONS	SUITS MODLES	BOLTS TO SUIT
ML-0007		PARK EKR TA Light Duty Grass Flail L Hammer	014.01
MP-0008		Until 2008 for: TFB/Y TFB/R AF AF/SSL TBM TA/P P Hammer	014.01
MA-3922		From 2008 for: TFB/Y TFB/R TFB/SB TBM EKR TA/P AF A Hammer	014.50 Square Headed
MP-0794		TBM/S TFH/M TFB/M Mega Flail	014.80 014.85 From 2014 Square bolt head
MT-3507		TSB Hammer Flail Option T Hammer	014.90

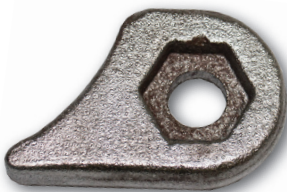

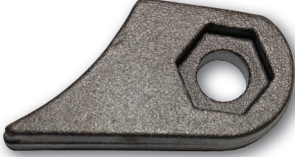

Y FLAILS

CODE	DIMENSIONS	SUITS MODLES	BOLTS TO SUIT
C6008F28		Lighter TSB option 8mm thick	014.90 Uses bushes and collars. Refer to page 87.
C6010F28		Standard TSB TSB/P 10mm thick	014.90 M20X120 014.60 M20X85 for old models with fabricated lugs Uses bushes and collars. Refer to page 87.
C6012F20		Heavy duty TSB & MRDT 12mm thick	014.90 Uses collars. Refer to page 87.
CD6008F28		Use with C6010F28. Centre flail for TSB	014.90 Uses bushes and collars. Refer to page 87.



Y FLAILS & ROTOR LUG PAIRS

CODE	DIMENSIONS	SUITS MODLES	BOLTS TO SUIT
C5008F1838		AF EFR TA TA/p Y Flail	014.01 Uses bushes and collars. Refer to page 87.
CD2421		AF EFR TA TA/p Centre Flail Use with C5008	014.01 Uses bushes and collars. Refer to page 87.

CODE	DIMENSIONS	SUITS MODLES	BOLTS SIZE
SSE24X25 (sold in pairs)		Park AF TBM TFB-Y EKR Before 2008	M16 with 27mm Hex Head
SXF19-3924+ (sold in pairs)		AF TAP TA TBM TFB-Y EKR After 2008	M19 with 27mm Square Head
SME-0816 (sold in pairs)		TBM-S TFH-M TFB-M TSB KING-DT	M20 with 32mm Hex Head
SME-022 (sold in pairs)		TFH-M with 16mm Bolts	M16 with 27mm Hex Head

FORESTRY FLAILS





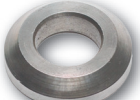

BERTI





CODE	DIMENSIONS	SUITS MODLES	BOLTS TO SUIT
MD-2341		TBM/SB	Flail Rod FTT38025
MD-1950		ECF ECF/SB ECF-MD/SB	Flail Rod FTT38030
DF-004		Fixed tooth EFX EFX/SB Tungsten Carbide TIPS	V200701TF109N

FORESTRY FLAILS



COLLARS & BUSHES

CODE		DIMENSIONS	SUITS
DC011		O.D: 60mm I.D: 28.5mm T: 11mm	C6010F28 Flail Standard TSB Setup
DC008		O.D: 54mm I.D: 28.5mm T: 8mm	C6010F28 Flail With Centre Flail Setup
DC010MRDT		O.D: 54mm I.D: 20.5mm T: 10mm	C6012F20 Flail Does Not Use A Bush
R0264408Z		O.D: 43.7mm I.D: 26.2mm T: 8mm	C5008F1838 Flail With Centre Flail
DC012S		O.D: 50mm I.D: 25.4mm T: 12mm	C5008F1838 Flail Without Centre Flail
R0-4049		O.D: 42.4mm I.D: 25.8mm T: 14mm	C5008F1838 Flail After Year 2008

CODE		DIMENSIONS	SUITS
BC283L40		O.D: 28mm I.D: 20.5mm L: 42mm	Standard Bush For All TSB Flails
BC283L45		O.D: 28mm I.D: 20.5mm L: 45mm	TSB with 45mm Bush
BC-4048		O.D: 25.2mm I.D: 19mm L: 53mm	C5008F1838 Flail With 18mm Bolt after 2008
BC254L40		O.D: 25mm I.D: 16.5mm L: 40mm	C5008F1838 Flail With 16mm Bolt

BOLTS

CODE		DIMENSIONS	SUITS
014.01		M16X100mm 10.9 grade	For MP-0008 & ML-0007 Flails
014.40		M16X130mm 10.9 grade	For some TFB-SB with extra wide lugs
014.50		M19X115mm 10.9 grade	Square Head bolt for MA-3922 Flail
014.60		M20X85mm 10.9 grade	Suits TSB Before year 2000 with fabricated steel lugs
014.80		M20X160mm 10.9 grade	MP-0794 Flail
014.85		M20x160 10.9 grade	Square Head bolt for MP-0794 2015 onwards
014.90		M20X120mm 10.9 grade	C6010F28 TSB from year 2000 onwards, also MT-3507 Flail

*All bolts are fine threads and include nyloc nuts



BELTS

TRACTOR MOUNTED MULCHERS		
MODEL	CODE	QUANTITY
AF	993.16	3
DUAL	993.05	5
ECF	993.10	5
ECF-DT	993.10	10
EFX-DT	993.10	10
EKR 90-160cm	993.16	3
EKR 180-250cm	993.02	4
KING	993.12	8
MINI GARDEN	993.01	3
MRDT	993.30	4
MULTY	993.12	4
PARK	993.16	3
PICKER	993.25	4
TA	993.02	4
TA-P	993.05	4
TBM	993.05	4
TBM-S (540rpm)	993.05	5
TBM-S (1000rpm)	993.25	5
TBM-S (1000rpm)	993.35	5
TFB-Mega	993.05	4
TFB-Y	993.02	4
TFB-REV	993.05	4
TFH-M	993.12	5
TSB	Call Farmgard For Info	
TSB/D320 - 3 belts	993.25	3
TSB/D320 - 4 belts	993.05	4




DIGGER MOUNTED MULCHERS		
MODEL	CODE	QUANTITY
AF-SSL	993.16	4
CKT-SB	993.01	2
ECF-SB	993.12	4
ECF-SB 2000 series	993.12	4
ECF-SB 2000 series	993.10	4
ECF-MD SB	993.12	4
EFX-SB 120cm	993.05	5
EFX-SB 140-160cm	993.12	5
Mini-SB	993.16	2
PARK-SB	993.16	3
RA-SB	993.16	3
TBM-SB	993.02	4
TFB-SB	993.02	4

*This is only a guide, Belts can differ depending on year of manufacture, subject to changes at any time.

FLAPS & CHAINS

BERTI

CODE		SUITS MODLES
PA04-2217Z		Park AF 100x160mm
PA04-2220Z		TA/P TFB/Y 100x200mm
PA04-2223Z		TFB/MEGA 100x260mm

CODE		SUITS MODLES
CGSZ010		TA/P TFB/Y 5 Link
CGSG01006		TFB/MEGA TBM-S TSB ECF 6 Link
DC283L25		Spacer for all chains

FRONTS FLAPS AND CHAINS



QUANTITY CHART FOR FLAILS

MODEL	40	60	90	95	100	105	110	115	120	125	135	140	145	160	180	200	220	230	250	270	285	300	320	360	500	600	
AF										10			14	14	16	18											
AF-SSL												12		14	16	18											
CKT-SB		8		14																							
DUAL																	20		22			26	28				
ECF													28	32	36	39	39		45								
ECF-DT																			45								
ECF-SB							20				24		28														
ECF-SB 2000							20				24		28														
ECF-MD SB							20				24		28														
EFX-DT																48	54		60								
EFX-SB							30				36		42														
EKR, EKR-S			8		10		10		12	12			14	14	16	18	20										
KING																					64				80		
MINI GARDEN							64			68		80															
MINI-SB	16																										
MRDT																48			60								72
MULTY																48	52	56	60								
PARK													14	14	16												
PARK-SB			8				10																				
PICKER					8				10		12		14	16	18												
RA-SB				8			10			12																	
TA															16	18											
TA-P															16	18	20										
TBM													14	16	18	20											
TBM-S															16	18	20		22								
TBM-SB							20				24				28												
TFB-M													14	16	18	20											
TFB-Y				8			10				12		14	16	18	20			22								
TFB-REV													14	16	16												
TFB-SB				10					12			12	14														
TFH-M																18	20		22			26	28				
TSB													40	44	48	48	52	56	60	64	68	72	80	88	120	144	
TSB/D320																								80			