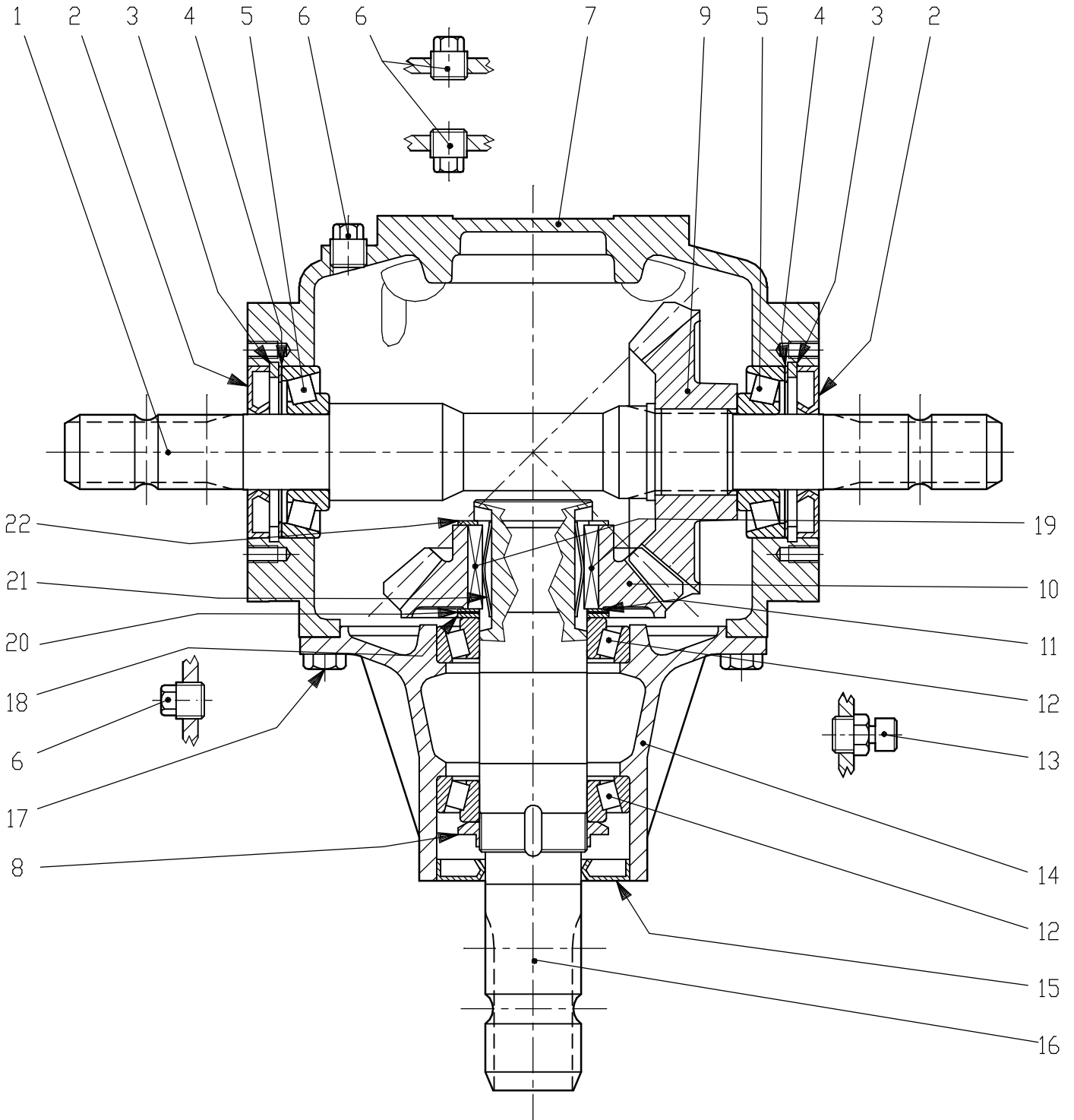


DITTA	RIF.	DENOMINAZIONE
		T-292 B
	DATA	CODICE
	15-06-98	292.204.00



DESIGNATION      GEAR BOX      T-292B

CODE N°      9.292.204.00

POS.	DRG. N.	PIEC	DESCRIPTION
------	---------	------	-------------

1	0.292.3000.00	1	SHAFT      1"3/8 Z6
2	8.7.3.00081	2	OIL SEAL      35X80X10
3	8.5.2.01370	2	SNAP RING      80 UNI7438
4	0.110.7500.00	2	SHIM      79,7
5	8.0.9.00129	2	BEARING      30307
6	8.6.5.00006	4	PLUG      3/8"GAS
7	0.292.0301.00	1	CASING
8	0.781.7102.00	1	NUT      M50X1.5
9	0.290.5201.00	1	CROWN WHEEL      Z.21 M.6.45
10	0.292.6200.00	1	CROWN WHEEL      M.6.45
11	0.712.7510.00	1	SHIM      50.3x1.0
12	8.0.9.00469	2	BEARING      30210
13	8.6.7.00161	1	OIL FILLER PLUG      3/8"GAS
14	0.292.1310.00	1	EXTENSION
15	8.7.3.01059	1	OIL SEAL      45X90X10
16	0.292.2203.00	1	SHAFT      1"3/4 Z6
17	8.1.1.00501	8	BOLT      M10X22 8,8
18	0.301.7104.00	1	SPACER
19	0.269.7119.00	2	PARALLEL KEY
20	0.712.7500.00	1	SHIM      70.3
21	0.269.7120.00	2	SPRING
22	8.5.1.00928	1	SNAP RING      55 UNI7436