

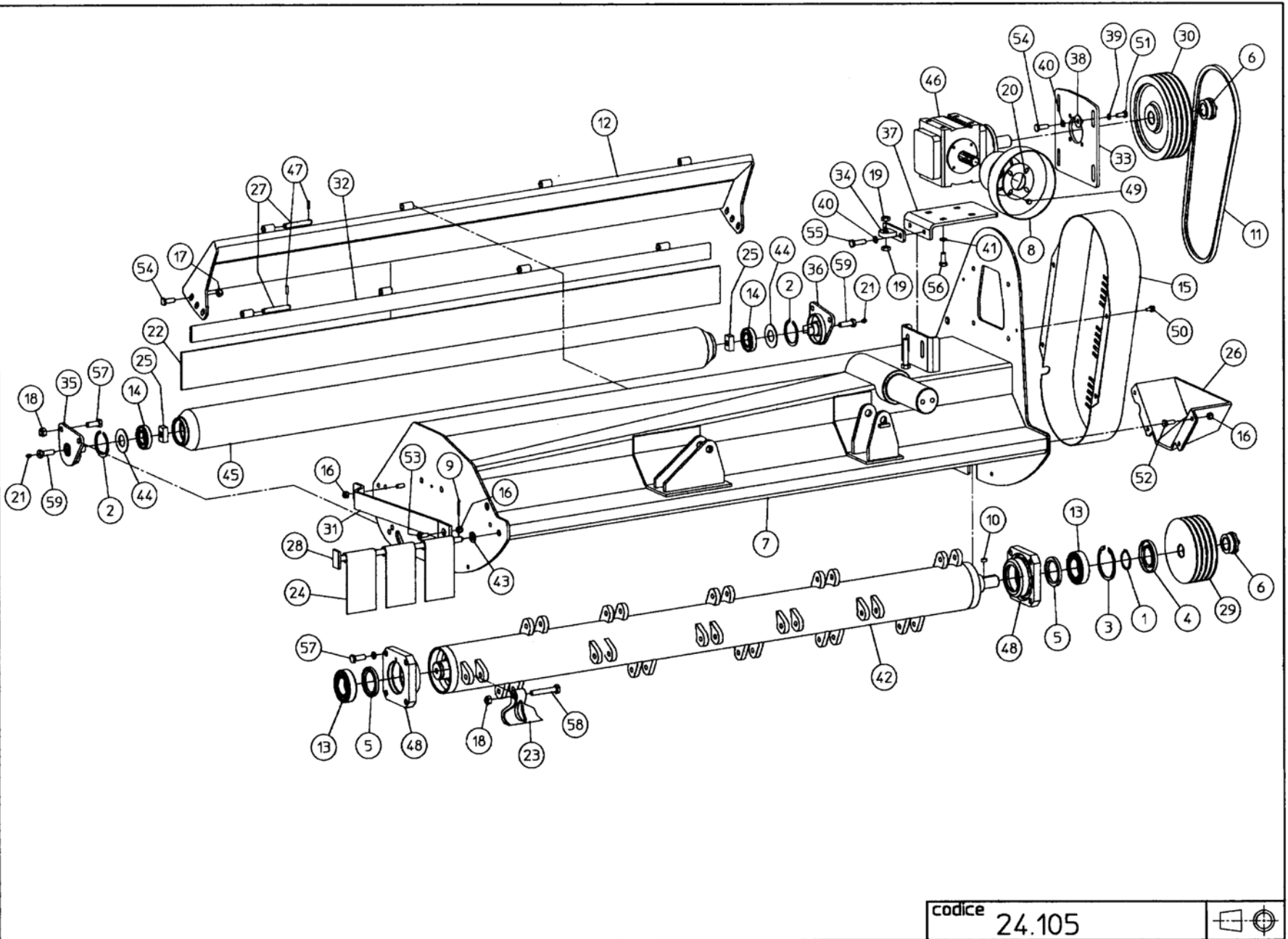


TA-P

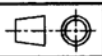
BERTI SPARE PARTS REFERENCE GUIDE



Mod. TAP 2002 – Standard FRAME



codice 24.105



Exploded codes:

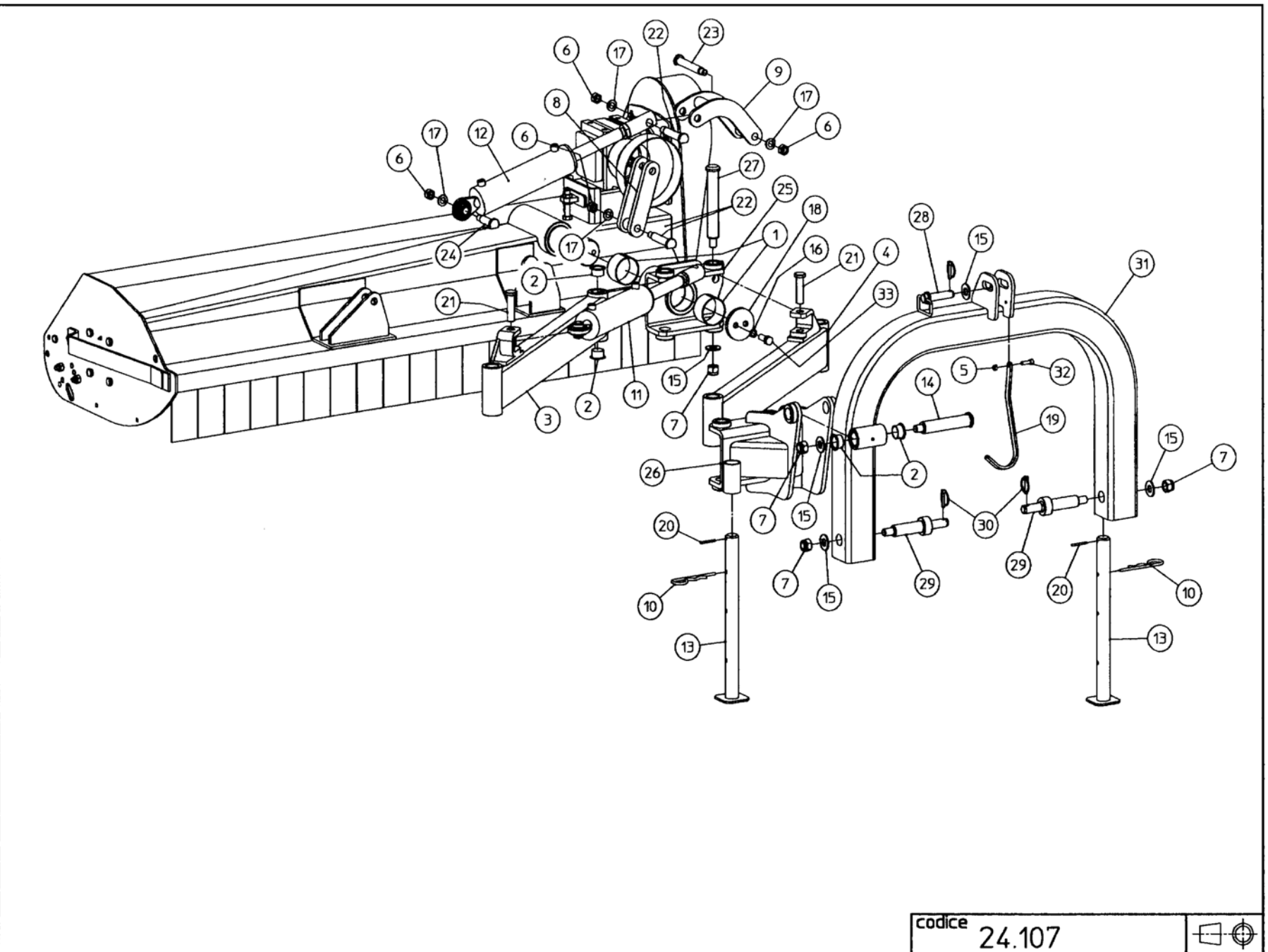
Mod. TA-P – Standard frame

fig. 24.105

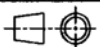
BERTI MACCHINE AGRICOLE srl

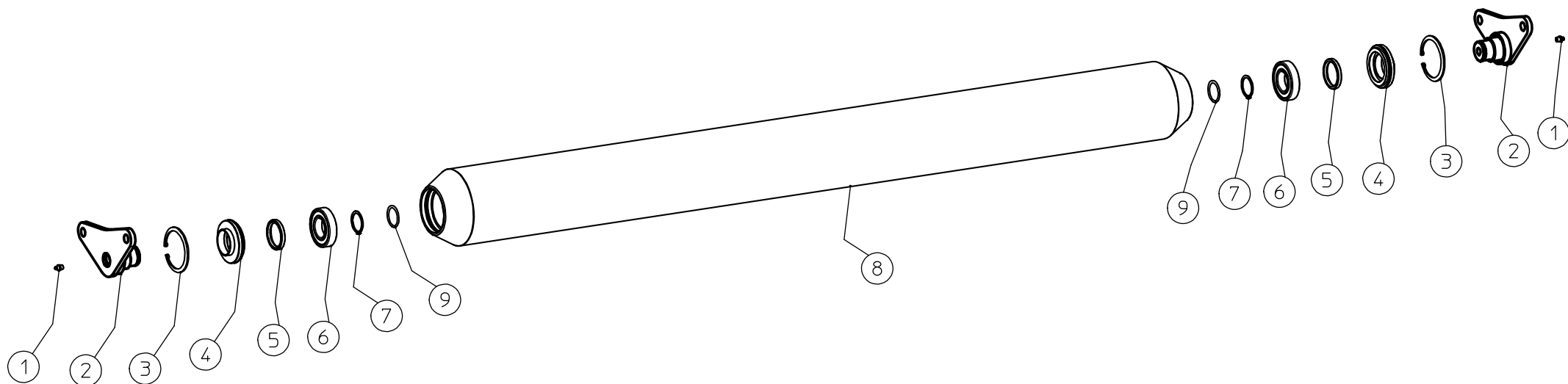
| Pos. | ITEM | TA-P 160 | TA-P 180 | TA-P 200 | TA-P 220 | | |
|------|-----------------------------|---------------|---------------|---------------|---------------|--|--|
| 1 | CIRCLIP | ASE060 | ASE060 | ASE060 | ASE060 | | |
| 2 | CIRCLIP | ASI080 | ASI080 | ASI080 | ASI080 | | |
| 3 | CIRCLIP | ASI110 | ASI110 | ASI110 | ASI110 | | |
| 4 | SEAL RING | AT06011012 | AT06011012 | AT06011012 | AT06011012 | | |
| 5 | SEAL RING | AT07010010 | AT07010010 | AT07010010 | AT07010010 | | |
| 6 | CENTER LOCK | CA4065 | CA4065 | CA4065 | CA4065 | | |
| 7 | MAIN CHASSIS | CC160/2042 | CC180/2042 | CC200/2042 | CC220/2042 | | |
| 8 | PTO CONE | CC005 | CC005 | CC005 | CC005 | | |
| 9 | SPLIT PIN | CF050060 | CF050060 | CF050060 | CF050060 | | |
| 10 | KEY 12x8x20 | CH1208020 | CH1208020 | CH1208020 | CH1208020 | | |
| 11 | BELT | 993.05 | 993.05 | 993.05 | 993.05 | | |
| 12 | FLAT HOOD | CO160/2042 | CO180/2042 | CO200/2042 | CO220/2042 | | |
| 13 | BEARING | 003.07 | 003.07 | 003.07 | 003.07 | | |
| 14 | BEARING | 003.12 | 003.12 | 003.12 | 003.12 | | |
| 15 | TRANSMISSION COVER | CT/0186 | CT/0186 | CT/0186 | CT/0186 | | |
| 16 | SELF-LOCKING NUT | DE12AL6SPGZAB | DE12AL6SPGZAB | DE12AL6SPGZAB | DE12AL6SPGZAB | | |
| 17 | SELF-LOCKING NUT | DE14AL6SPGZAB | DE14AL6SPGZAB | DE14AL6SPGZAB | DE14AL6SPGZAB | | |
| 18 | SELF-LOCKING NUT | 014.01 | 014.01 | 014.01 | 014.01 | | |
| 19 | NUT Low | DE18BA6SPGN | DE18BA6SPGN | DE18BA6SPGN | DE18BA6SPGN | | |
| 20 | REINFORCING PLATE | FR/1338 | FR/1338 | FR/1338 | FR/1338 | | |
| 21 | GRASER | IN08125DR | IN08125DR | IN08125DR | IN08125DR | | |
| 22 | RUBBER PROTECTOR | LT06130L1600 | LT06130L1800 | LT06130L2000 | LT06130L2200 | | |
| 23 | HAMMER TYPE "P" | MP/0008 | MP/0008 | MP/0008 | MP/0008 | | |
| 24 | FLAP | PA05/1342 | PA05/1342 | PA05/1342 | PA05/1342 | | |
| 25 | PLATE | PB/2005 | PB/2005 | PB/2005 | PB/2005 | | |
| 26 | COVER PROTECTOR | PC/2040 | PC/2040 | PC/2040 | PC/2040 | | |
| 27 | HINGE PIN | PE0150110 | PE0150110 | PE0150110 | PE0150110 | | |
| 28 | FLAPS ROD | PE0181630 | PE0181830 | PE0182030 | PE0182230 | | |
| 29 | PULLEY | PG212G4 | PG212G4 | PG212G4 | PG212G4 | | |
| 30 | PULLEY | PG280G4 | PG280G4 | PG280G4 | PG280G4 | | |
| 31 | SIDE PROTECTOR | PL100600 | PL100600 | PL100600 | PL100600 | | |
| 32 | HOLDER OF RUBBER PROTECTION | SP041520 | SP041720 | SP041920 | SP042120 | | |
| 33 | SIDE PLATE FOR GEARBOX | PR/1985 | PR/1985 | PR/1985 | PR/1985 | | |
| 34 | ADJUSTING PLATE | PR08/0009 | PR08/0009 | PR08/0009 | PR08/0009 | | |
| 35 | ROLLER BRACKET RH | PR139DX/2017 | PR139DX/2017 | PR139DX/2017 | PR139DX/2017 | | |
| 36 | ROLLER BRACKET LH | PR139SX/2017 | PR139SX/2017 | PR139SX/2017 | PR139SX/2017 | | |
| 37 | SUPPORT FOR GEARBOX | PSS/1984 | PSS/1984 | PSS/1984 | PSS/1984 | | |
| 38 | WASHER 14x42 | RF1442FN | RF1442FN | RF1442FN | RF1442FN | | |
| 39 | GROWER WASHER Ø12 | RG12XXARN | RG12XXARN | RG12XXARN | RG12XXARN | | |
| 40 | GROWER WASHER Ø14 | RG14XXARN | RG14XXARN | RG14XXARN | RG14XXARN | | |
| 41 | GROWER WASHER Ø16 | RG16XXARN | RG16XXARN | RG16XXARN | RG16XXARN | | |
| 42 | ROTOR | RC159160/0013 | RC159180/0014 | RC159200/0015 | RC159220/0016 | | |
| 43 | WASHER Ø18 | RP18XXFN | RP18XXFN | RP18XXFN | RP18XXFN | | |


Mod. TAP 2002 – 3p Linkage with Anti-shock



codice 24.107





| | | | |
|--|----------------|------------------|------|
|  | | mod. TA-P | |
| macchine agricole spa Caldiero (VR) | | mat. _____ | |
| des. Espoloso rullo 159 | | | |
| data 13/12/08 | dis. Andrea | cod. 24.06.01 | rev. |
| <small>© Le informazioni contenute nel presente documento sono di proprietà della BERTI MACCHINE AGRICOLE SPA e non possono essere riprodotte o trasmesse a terzi in alcun modo senza esplicita approvazione scritta della BERTI MACCHINE AGRICOLE SPA o di un suo rappresentante debitamente autorizzato.</small> | | | |

| | | TA-P – TA/PF | | | |
|------|---------------------|---------------|---------------|---------------|---------------|
| Pos. | ITEM | cm 160 | cm 180 | cm 200 | cm 220 |
| 1 | GREASE NIPPLE M10x1 | IN101XXDR | IN101XXDR | IN101XXDR | IN101XXDR |
| 2 | ROLLER BRACKET | PA/4330 | PA/4330 | PA/4330 | PA/4330 |
| 3 | CIRCLIP i 90 | ASI090 | ASI090 | ASI090 | ASI090 |
| 4 | PROTECTION RING | AL159/4246 | AL159/4246 | AL159/4246 | AL159/4246 |
| 5 | SEAL RING | AT04806208 | AT04806208 | AT04806208 | AT04806208 |
| 6 | BEARING | 003.05 | 003.05 | 003.05 | 003.05 |
| 7 | CIRCLIP e 40 | ASE040 | ASE040 | ASE040 | ASE040 |
| 8 | ROLLER | RL159160/4026 | RL159180/4026 | RL159200/4026 | RL159220/4026 |
| 10 | RING OR 4325 | GOR4325 | GOR4325 | GOR4325 | GOR4325 |
| 9 | | | | | |
| 10 | | | | | |
| 11 | | | | | |
| 12 | | | | | |
| 13 | | | | | |