



BONDIOLI & PAVESI



AG PTO SHAFTS AND PARTS

**DRIVELINES BY
FARMGARD**

" THE PTO SHAFT SPECIALISTS "

FARMGARD





BONDIOLI & PAVESI



ALL DRIVESHAFTS AND PARTS IN THIS GUIDE ARE GENUINE BONDIOLI PRODUCTS, MANUFACTURED IN ITALY FROM HIGH QUALITY MATERIALS.

This guide is intended to make the identification and ordering process easier. If unsure about any part number or item, please contact us as we are more than happy to assist!

Bondioli & Pavesi Genuine Universal cross:

- Dust, dirt and moisture can shorten a drivelines life dramatically, so effective sealing is essential to retain lubricants and protect from moisture and contamination.
- Genuine Bondioli Cross kits have needle bearings with double lip seals, designed to prevent dust and dirt contamination
- Genuine Bondioli crosses have higher strength trunnions, increased needle bearing life and longer lubrication intervals.
- Be aware that some alternative universal joints have incorrect cup tolerances, resulting in overheating and joint failure due to the friction generated from the cups spinning inside the yoke ears.

Bondioli & Pavesi Genuine Yokes:

- Bondioli Yokes are made from high quality steel built to withstand the sideways flexing force which occurs under load. This overcomes the problems of yokes shattering, unlike many of the alternative manufacturers who use poor quality steel to keep the price down.
- This stiffness of the genuine Bondioli Yokes is essential to the proper performance and long life of the universal joint.

Bondioli & Pavesi Genuine Profile tubes:

- The performance of Bondioli universal joints, demands an equally high performance from telescopic driveline tubes. The design results in a tube with high strength, minimal thrust force and low weight which overall means a stronger and more functional driveshaft.
- Tubing used on wide angle driveshafts is Rilsan plastic coated to ensure even less telescopic thrust and longer life.

To ensure a perfect fit, first time and every time, only assemble genuine Bondioli components to Bondioli & Pavesi Driveshafts!

" Insist on the best."





07

UNIVERSAL JOINTS



08

SFT DRIVELINE COMPONENTS



14

SFT SAFETY COVERS



15

COMPLETE SFT DRIVESHAFTS



16

GLOBAL/100 SERIES DRIVELINE COMPONENTS



26

GLOBAL/100 SERIES SAFETY COVERS



30

COMPLETE GLOBAL/100 SERIES DRIVESHAFTS



31

COMER TUBES & YOKES



33

TAPERED PINS, PUSH PINS



34

BALL COLLAR KITS FRICTION DISCS



35

IMPLEMENT CONNECTION CONES



36

TORQUE LIMITING CLUTCHES

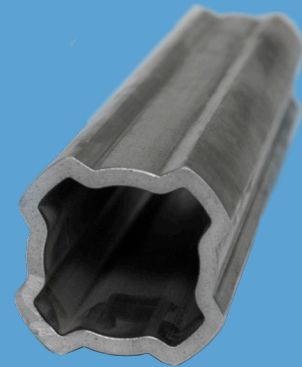


BONDIOLI & PAVESI



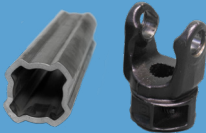
SFT SERIES

This section refers to driveshafts with four tooth profile tubing. Known as SFT tube.



Universal Joints

07



Standard Driveshaft
Components

08



80° Wide Angle Driveshaft
Components

10



Safety Cover Bearings

12



Safety Cones

13



Complete Safety Covers

14



Complete Driveshafts

15

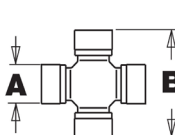
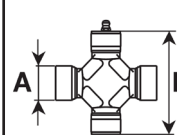
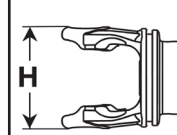
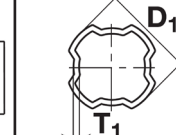
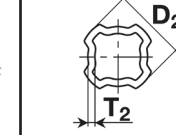

Steps for identifying size/series:

1. Measure the cup size of the universal joint.
2. Measure the distance across the yoke and / or between the circlip groove on the yoke.
3. Measure tube diameter.
4. Measure cover bearing groove on the tube yoke. In case of 80 degree wide angle yokes measure the size of the ball on top of the yoke.
5. Take note of number stamped into outer plastic cover example shown below. Also look for these symbols shown on yokes and components. (these are not the part numbers but will help identify the size).
6. In this book all measurements are in millimeters unless stated otherwise.
7. Z refers to the number of splines



E.g. Size S8



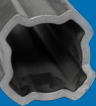
STANDARD JOINT SIZE	80° WIDE ANGLE JOINT	YOKE WIDTH STANDARD JOINT	OUTER TUBE DIMENSION	INNER TUBE DIMENSION	FREE ROTATION TUBE
					

SERIES/ SIZE	STANDARD JOINT SIZE		80° WIDE ANGLE JOINT		YOKE WIDTH STANDARD JOINT	OUTER TUBE DIMENSION		INNER TUBE DIMENSION		FREE ROTATION TUBE	
	A	B	A	H	H	D1	T1	D2	T2	OUTER G	INNER H
S1	22.0	54.0	-	-	61.8	35.2	2.0	30.8	3.0	-	-
S2	23.8	61.3	22.0	76.0	70.0	45.6	2.75	39.6	3.0	40.4	29.6
S4	27.0	74.6	22.0	86.0	84.0	50.2	2.75	44.2	3.5	48.0	36.6
S5	30.2	79.4	-	-	91.0	50.2	2.75	44.2	4.2	-	-
S6	30.2	79.4	27.0	100.0	91.0	53.9	3.25	46.9	4.5	58.5	45.6
H7	30.2	91.5	27.0	100.0	103.0	58.2	3.25	51.2	5.0	-	-
S8	34.9	93.5	30.2	106.0	106.0	58.2	3.25	51.2	5.0	-	-
H8	34.9	93.5	30.2	106.0	106.0	66.0	3.5	58.5	4.5	-	-
S9	34.9	106.0	30.2	122.0	117.0	66.0	3.5	58.5	4.5	-	-
SH	42.0	107.5	34.9	110.0	119.0	70.2	4.0	61.7	5.75	-	-
S0	42.0	130.0	-	-	145.0	70.2	4.0	61.7	5.75	-	-
SK	50.0	140.0	-	-	155.0	74.1	6.0	61.8	-	-	-

SERIES/ SIZE	TORQUE LIMITS		MEDIAN TRANSMITTED TORQUE & POWER LEVELS (REAL HP)											
			Median torque & power 5° angle, 1000 hours lifetime						Median torque & power 10° angle, 100 hours lifetime					
	MD MAX (NM)	M MAX (NM)	540 RPM			1000 RPM			540 RPM			1000 RPM		
			KW	HP	NM	KW	HP	NM	KW	HP	NM	KW	HP	NM
S1	482	850	13	18	234	20	27	190	21	28	368	33	45	315
S2	685	1500	21	28	364	31	42	295	32	44	572	51	70	490
S4	939	2200	28	38	494	42	57	400	44	60	776	70	95	665
S5	1334	2500	37	50	651	55	75	527	58	79	1022	92	125	876
S6	1334	3000	40	55	716	61	83	583	64	86	1124	101	137	964
H7	1603	3700	51	70	911	78	106	745	81	110	1430	128	175	1226
S8	2083	4000	66	90	1171	100	136	956	104	141	1838	165	224	1576
H8	2083	5000	66	90	1171	100	136	956	104	141	1838	165	224	1576
S9	2447	5000	81	110	1461	122	166	1166	127	173	2247	202	274	1927
SH	2928	6750	97	132	1717	147	200	1405	153	208	2704	243	330	2318
S0	3729	6750	124	169	2199	187	254	1785	195	265	3445	309	421	2954
SK	5424	11000	181	246	3200	272	370	2600	233	318	4130	371	504	3541

- **Md Max** = Maximum Dynamic Torque. This is defined as the maximum torque transmitted under normal working conditions . This value is considered as the max torque limit that the corresponding driveshaft series can handle at a constant rate during working conditions.
- All joints must operate for the desired lifetime under normal working conditions. For this to occur, the transmitted torque must be lower than the Maximum Dynamic Torque (**Md Max**).
- **M Max** = Maximum Torque of the driveline. The driveline is not designed to handle torque which exceeds this value.
- The driveline strength must be sufficient to transmit the desired torque under all foreseeable working conditions (example; possibility of large rocks or tree stumps in a cultivation application.). Therefore the driveline size must be selected so that the maximum torque required by the working application will always be lower than the maximum rated torque of the driveline (**M Max**) even in the case of accidental torque peaks.
- The driveline size is determined by the median torque levels and the life required, in combination with the parameter of rotational speed, joint angle and lubrication.



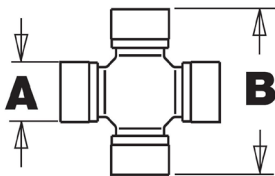


STANDARD UNIVERSAL JOINT

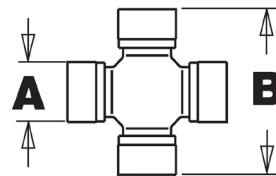
SERIES	A	B	CAP GREASING	CENTRE GREASING
0	20.0	50.0	-	41220
G1,S1	22.0	54.0	4120B0012	41201
G2,S2	23.8	61.3	4120C0012	41202
G3	27.0	70.0	-	41203
G4,S4	27.0	74.6	4120E0012	41204
G5,S5-6	30.2	79.4	4120G0013	41205
G7,H7	30.2	91.5	4120H0012	41206
7 OLD	30.2	106.0	-	412070001
G8,S8,H8	34.9	93.5	4120L0013	41207
G9,S9	34.9	106.0	4120M0012	41208
9,T90	41.0	108.0	-	41209
10	41.0	118.0	412100005	41210
SH	42.0	107.5	4120N0014	-
S0	42.0	130.0	4120S0007	-
12	49.0	135.0	412200001	412200001
SK	49.0	140.0	4120K0001	-

WIDE ANGLE UNIVERSAL JOINT

SERIES	A	B	CAP GREASING	CENTRE GREASING
G2,S2	22.0	76.0	4120C0051	-
S2 003	22.0& 23.8	76.0& 77.6	4120C0003	-
G4,S4	22.0	86.0	4120E0051	-
2 old	23.8	61.3	-	412020003
4 old	23.8	86.0	-	412040012
G7,S6	27.0	100.0	4120G0051	-
S6 003	27.0& 30.2	90.0& 92	4120G0006	-
6 old	30.2	99.4	412060012	412060012
G8,S8,H8	30.2	106.0	4120L0051	-
CV60 comer	30.2	101.4 & 95.4	-	180.016.228
S8003	30.2& 34.9	106 & 109	4120L0006	-
CV80 comer	35.0	113.8& 106.3	-	180.016.228
S9	30.2	122.0	4120M0051	-
8 old	34.9	106.0	-	412080012
SH	34.9	110.0	4120N0051	-



Standard Universal With Cap Greasing



Standard Universal With Centre Greasing



Wide Angle Universal With Cap Greasing

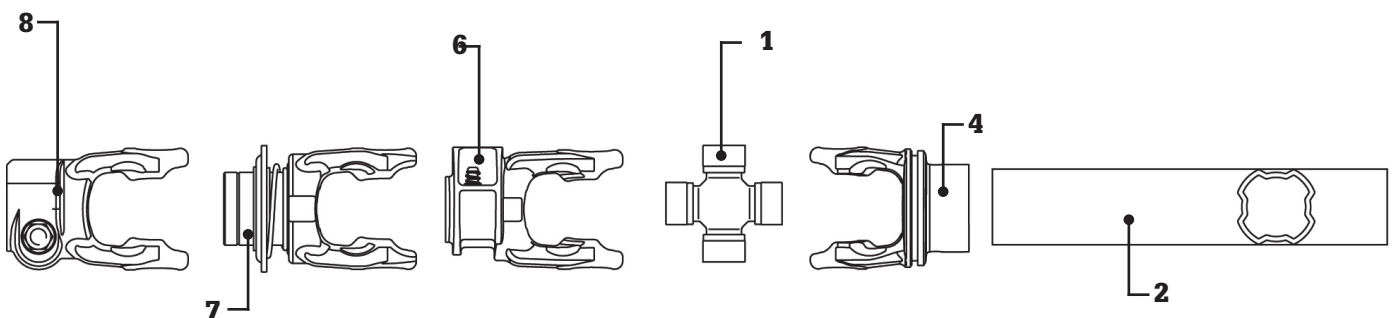
*** Some universals are available with 4 cap greasing
Please enquire!**

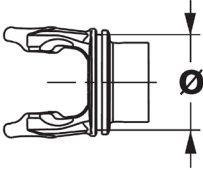
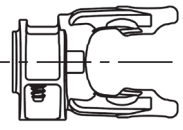
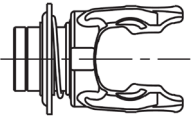
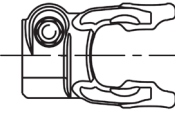


SERIES	1				2			3			4	
								 NON COATED! COATED TUBES ON PG. 10				
	UNIVERSAL JOINT			WIDTH	OUTER TUBE			INNER TUBE			OUTER TUBE YOKE	
	A	B	CODE	H	D1	T1	CODE	D2	T2	CODE	CODE	COVER BEARING Ø
S1	22.0	54.0	4120B0012	61.8	35.2	2.0	12232	30.8	3.0	12216	204S16853	59
S2	23.8	61.3	4120C0012	70.0	45.6	2.75	12205	39.6	3.0	12219	204S26854	73
S4	27.0	74.6	4120E0012	84.0	50.2	2.75	2253H1400	44.2	3.5	2254B1400	204S46854	73
S5	30.2	79.4	4120G0013	91.0	50.2	2.75	2253H1400	44.2	4.2	12252	204S56858	73
S6	30.2	79.4	4120G0013	91.0	53.9	3.25	2253P1000	46.9	4.5	2254G1520	204S66853	89
H7	30.2	91.5	4120H0012	103.0	58.2	3.25	12209	51.2	5.0	12251	2040H6862	89
S8	34.9	93.5	4120L0012	106.0	58.2	3.25	12209	51.2	5.0	12251	204S86853	89
H8	34.9	93.5	4120L0012	106.0	66.0	3.5	2250N1000	58.5	4.5	2253V1000	2040L6869	89
S9	34.9	106.0	4120M0012	117.0	66.0	3.5	2250N1000	58.5	4.5	2253V1000	204S96855	99
SH	42.0	107.5	4120N0012	119.0	70.2	4.0	2253K1000	61.7	5.75	2254E1000	2040N6853	103
S0	42.0	130.0	4120S0012	145.0	70.2	4.0	2253K1000	61.7	5.75	2254E1000	2040S6855	103
SK	50.0	140.0	4120K0001	155.0	74.1	6.0	-	61.8	-	-	2040K6851	103

Please specify tube length required

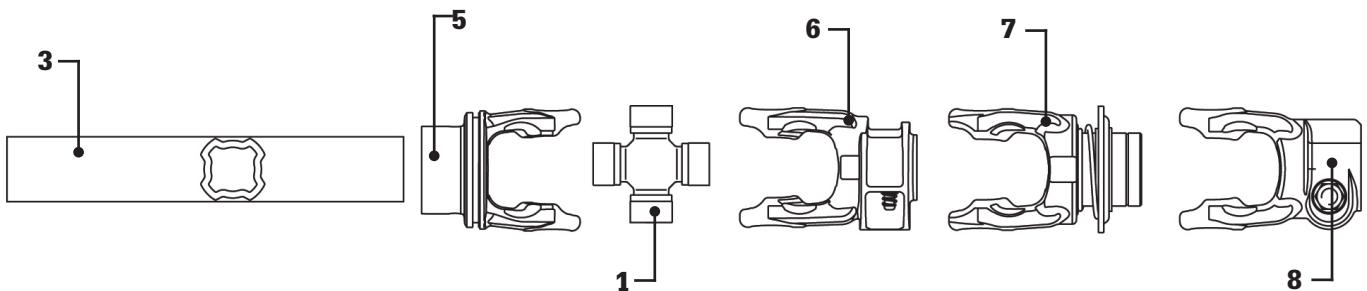
Please enquire about our special hybrid tube yokes not listed



5		6		7				8		
										
INNER TUBE YOKE		PUSH PIN YOKE		BALL COLLAR END YOKE				TAPERED BOLT END YOKE		
CODE	COVER BEARING Ø	1 3/8" Z6	1 3/8" Z21	1 3/8" Z6	1 3/8" Z21	1 3/4" Z6	1 3/4" Z20	1 3/8" Z6	1 3/4" Z6	1 3/4" Z20
204S16854	56	507010351	507013751	5720B0371	-	-	-	-	-	-
204S26853	70	5070C0355	5070C3755	5720E0355	-	-	-	-	-	-
204S46853	70	5070E0355	5070E3755	5720E0355	-	-	-	509040362	-	-
204S56859	70	5070G0355	5070G3755	5720G0355	5720G3755	5720G0455	5720G3855	509050360	5090G0460	5090G3860
204S66854	86	5070G0355	5070G3755	5720G0355	5720G3755	5720G0455	5720G3855	509050360	5090G0460	5090G3860
2040H6863	86	5070H0355	5070L3755	5720H0355	5720H3785	5720H0455	5720H3876	5090H0360	5090H0460	5090H3860
204S86854	86	5070L0355	5070L3755	5720L0355	5720L3776	5720L0455	5720L3855	5090L0360	5090L0461	5090L3860
2040L6865	86	5070L0355	5070L3755	5720L0355	5720L3761	5720L0455	5720L3851	5090L0360	5090L0461	5090L3860
204S96856	96	5070M0355	5070M3755	5720M0355	5720M3761	5720M0451	5720M3851	5090M0360	5090M0460	5090M3860
2040N6854	100	-	-	5720N0355	5720N3755	5720N0455	5720N3851	-	5090N0460	5090N3860
2040S6856	100	-	-	5720S0351	5720S3755	5720S0461	5720S3852	-	5090S0460	5090S3860
2040K6852	100	-	-	-	-	5720K0451	5720K3851	-	-	-

Please enquire about our special hybrid tube yokes not listed

*Not all ball collar end yokes are listed. Please enquire.

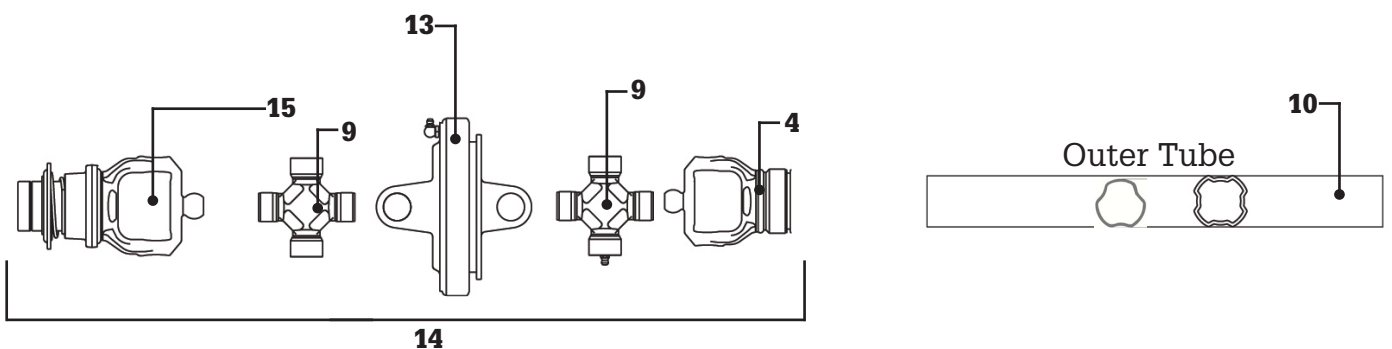


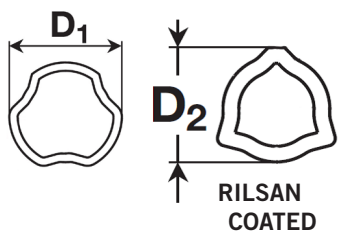
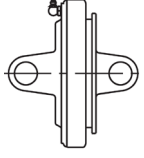
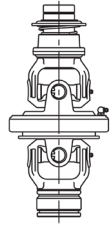
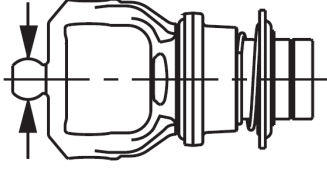
80° WIDE ANGLE JOINT

	9				10			11			4		
	80° UNIVERSAL JOINT			WIDTH	OUTER TUBE			INNER TUBE COATED			OUTER TUBE YOKE		
	A	H	CODE	H	D1	T1	CODE	D2	T2	CODE	CODE	Ø	Ø1
S2	22.0	76	4120C0051	84	45.6	2.5	12222	40.1	3.25	2454L	2150C6871	73	24
S4	22.0	86	4120E0051	94	50.2	2.5	2253L1000	44.7	3.75	2453G1000	2150E6871	73	24
S6	27.0	100	4120G0051	106	53.9	3.0	122461500	47.4	4.75	2453N	2150G6871	89	28
S8	30.2	106	4120L0051	116	58.2	3.0	12225	51.7	5.25	2454D	2150L6871	89	34
H8	30.2	106	4120L0051	116	66.0	3.25	2253X1000	59.0	4.75	2453V1000	2150L6877	89	34
S9	30.2	122	4120M0052	132	66.0	3.25	2253X1000	66.0	4.75	2453V1000	2150M6851	99	34
SH	34.9	110	4120N0051	122	70.2	3.75	12228	70.2	6.0	2454E	2150N6851	99	34

Various lengths available

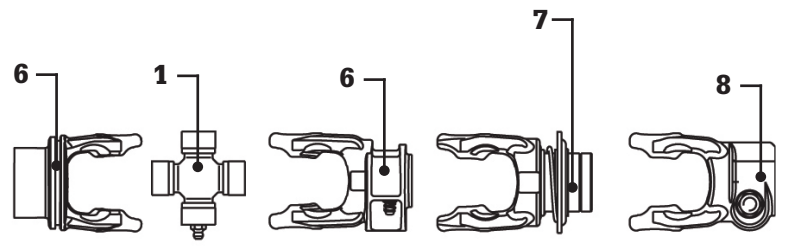
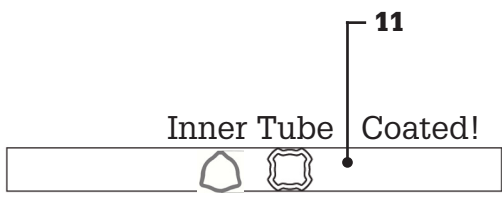
* The above tubes are to suit a coated inner tube.
Refer to page 8 for non coated standard tubes



10A		11A		13	14	15							
<p>Free Rotation Tube</p> 													
OUTER TUBE		INNER TUBE		CENTRE BODY	COMPLETE 80° JOINT FOR OUTER TUBE *	QUICK RELEASE END YOKES							
CODE	D1	CODE	D2			1 3/8" Z6	1 3/8" Z21	1 3/4" Z6	1 3/4" Z20				
12312	40.4	24504	29.6	5110E0053	CS2GWW49WR7	5730C0377	5730C3789	-	-				
12314	48.0	24510	36.6	5110E0052	CS4GWW49WR7	5730E0384	5730E3784	5730E0484	5730E3884				
12316	58.5	24516	45.6	5110G0061	CS6GWW49WR7	5730G0384	5730G3784	5730G0484	5730G3884				
-	-	-	-	5110L0063	CS8GWW49WR8	5730L0384	5730L3784	5730L0484	5730L3884				
-	-	-	-	5110L0063	CH8GWW49WR8	5730L0384	5730L3784	5730L0484	5730L3884				
-	-	-	-	5110M0051	CS9GWW49WS9	5730M0384	5730M3784	5730M0476	5730M3887				
-	-	-	-	5110N0051	CSHGWW49WS0	5730N0387	5730N3776	5730N0476	5730N3887				

* Please advise tractor spline

* Bolt connection yokes also available





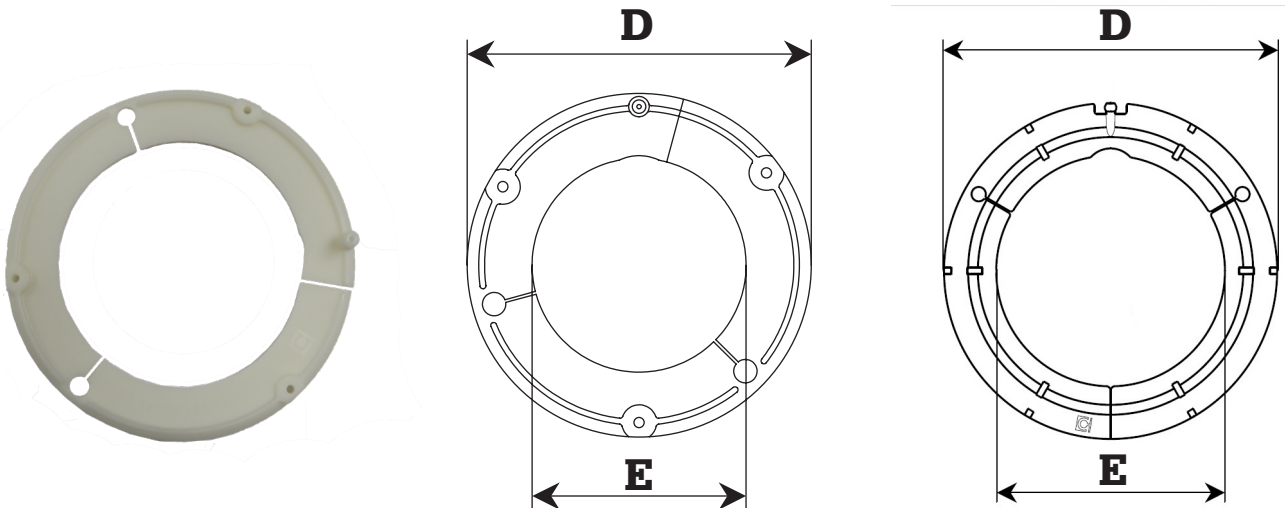
SFT SERIES

SERIES	BEARING FOR OUTER TUBE YOKE			BEARING FOR INNER TUBE YOKE			80° WIDE ANGLE BEARING		
	D	E	CODE	D	E	CODE	D	E	CODE
S1	100	59	2550A0001	100	56	2550A0002	-	-	-
S2	118	73	2550C0001	118	70	2550C0002	160	101	2550E0005
S4	118	73	2550C0001	118	70	2550C0002	160	101	2550E0005
S5	118	73	2550G0001	118	70	2550G0002	-	-	-
S6	132	89	2550G0001	132	86	2550G0002	187	128	2550G0024
S6003	115	78	2550G0004	132	86	2550G0002	194	150	2550G0007
H7	132	89	2550G0001	132	86	2550G0002	187	128	2550G0024
S8	132	89	2550G0001	132	86	2550G0002	206	147	2550L0023
H8	132	89	2550G0001	132	86	2550G0002	206	147	2550L0023
S9	144	99	2550L0001	144	96	2550L0002	206	147	2550L0023
SH	146	103	2550M0001	146	100	2550M0002	206	147	2550L0023
S0	146	103	2550M0001	146	100	2550M0002	-	-	-
SK	146	103	2550M0001	146	100	2550M0002	-	-	-

SAFETY COVER BEARINGS

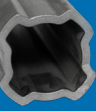
Standard Bearing

80° Wide Angle Bearing



Be sure to measure the bearing groove on the Yoke, remember to measure the inner and outer bearings as they are different. You can usually find the part number embossed into the plastic bearing.

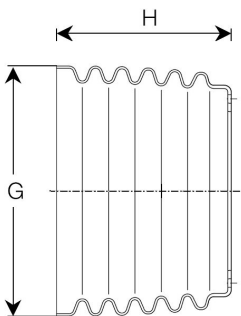




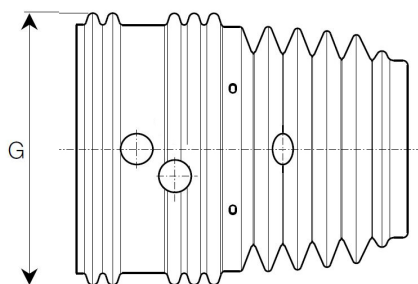
END CONES					
SERIES	G	H	STANDARD CONE	G	WIDE ANGLE CONE 80°
S1	129	75	2191C0013	-	-
S2	146	102	2190E0201	181	2190E0121
S4	146	102	2190E0201	181	2190E0121
S5	146	102	2190G0201	-	-
S6	160	101	2190G0201	211	2190G0141
H7	160	101	2190G0201	211	2190G0141
S8	160	120	2190L0201	233	2190L0121
H8	160	120	2190L0201	233	2190L0121
S9	180	130	2190M0201	233	2190N0122
SH	201	116	2190S0201	233	2190N0122
S0	201	116	2190S0201	-	-
SK	201	136	2190S0203	-	-

SPECIAL EXTENDED LENGTH CONES					
SERIES	E	H	G	D	CODE
S2-S5	83	226	170	93	2191D2016
S2-S5	83	215	170	93	2191D2054
S2-S5	83	260	170	93	2191D2055
S6	83	233	170	99	2191G2016
S6	83	278	170	99	2191G2017
S6-S8	145	260	200	103	2190G0162
S6-S8	115	227	200	103	2190G0146

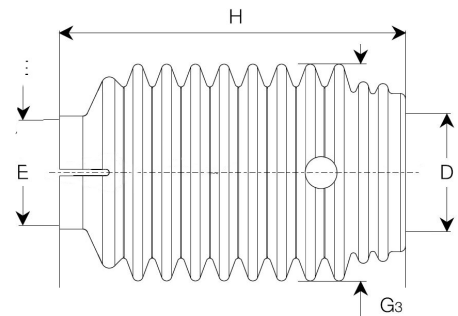
Standard End Cone



80° Wide Angle Cone



Special Extended Length Cone



Other special cones not listed above are available upon request.

STANDARD COVERS			
SERIES	CODE	INNER BEARING	OUTER BEARING
S1	5CS1121FXSS	56	59
S2	5CS2121FXSS	70	73
S4	5CS4121FXSS	70	73
S5	5CS5121FXSS	70	73
S6	5CS6121FXSS	86	89
H7	5CH7121FXSS	86	89
S8	5CS8121FXSS	86	89
H8	5CH8121FXSS	86	89
S9	5CS9121FXSS	96	99
SH	5CSH121FXSS	100	103
S0	5CS0121FXSS	100	103
SK	5CSK081FXSS	100	103



Standard SFT safety cover

STANDARD WIDE ANGLE COVERS				
SERIES	CODE	INNER BEARING	OUTER BEARING	WIDE ANGLE
S2	5CS2121FXWS	70	73	101
S4	5CS4121FXWS	70	73	101
S6	5CS6121FXWS	86	89	128
S6003	4DS614102CE	86	78	150
S8	5CS8121FXWS	86	89	147
H8	5CH8121FXWS	86	89	147
S9	5CS9121FXWS	96	99	147
SH	5CSH121FXWS	100	103	147



80° wide angle SFT safety cover

Covers listed above are to suit 1200mm closed cross centres. Other special length covers may be available.

* Only standard covers are listed on this page. Please ask about our OEM specific covers.



STANDARD DRIVESHAFT		
SERIES	HP	CODE
S1	18-27	CS1N121FX007007
S2	28-42	DS2N164CE007001
S4	38-57	DS4N164CE007001
S5	50-75	CS5N086FX007007
S6	55-83	CS6N121CE007007
H7	70-106	CH7N121CE007007
S8	90-136	CS8N086FX007007
H8	90-150	CH8N086FX007007
S9	110-166	CS9N086FX007007
SH	132-230	CSHN081FXR07R9
S0	169-254	CS0N081FX0000Q9
SK	246-370	CSKP081CER10R10

80° WIDE ANGLE DRIVESHAFT		
SERIES	HP	CODE
S2	28-42	CS2R121CEWR7007
S4	38-57	CS4R121CEWR7007
S6	55-83	CS6R121FXWR7R07
S8	90-136	CS8R121FXWR7R07
H8	90-150	CH8R121FXWS7R07
S9	110-166	CS9R121FXWS7R07
SH	132-230	CSHR121FXWS7R10



Standard SFT Driveshaft



80° wide angle SFT Driveshaft

- **Please provide required shaft length and yoke splines.**
- **We can custom build shafts to suit your requirements.**
- **We can fit clutches upon requests.**
- **All SFT shafts come with four tooth profile tube pictured below.**
- **OEM specific shafts also available.**

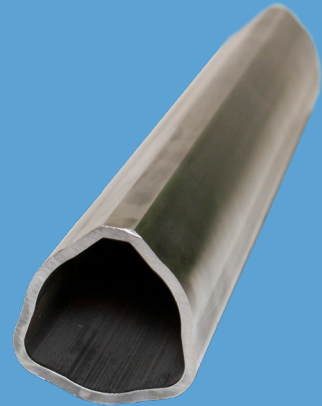


If unsure what size shaft you require, please ask us for recommendations.



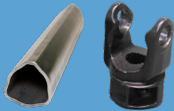
100 SERIES

This section refers to driveshafts with **BYPY** triangular profile tubing.



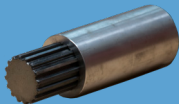
Universal Joints

19



Standard Driveshaft Components

20



Splined Shaft Components

22



Wide Angle Driveshaft Components

24



Complete Safety Covers

26



Safety Cover Bearings

28



Safety Cones

29



Complete Driveshafts

30

SERIES/SIZE IDENTIFICATION CHART FOR TRIANGULAR AND SPLINED PTO SHAFTS



Steps for identifying size:

1. Measure the cup size of the universal joint.
2. Measure the distance across the yoke and / or between the circlip grooves on the yoke.
3. Measure tube diameter.
4. Measure cover bearing groove on the tube yoke. In case of 80 degree wide angle yokes, measure the size of the ball on top of the yoke.
5. Take note of number stamped into outer plastic cover example shown below. Also look for these symbols shown on yokes and components. (these are not the part numbers but will help identify the size).
6. In this book all measurements are in millimeters unless stated otherwise.
7. Z refers to the number of splines

SERIES	STANDARD JOINT		YOKE WIDTH STANDARD JOINT	OUTER TUBE DIMENSION		INNER TUBE DIMENSION		SPLINED BAR 400 SERIES	
	A	B	H	A	B	A	B	∅	NO. OF SPLINES
1, G1	22	54.0	62.8	2.6	32.5	4.0	26.5	25.0	10
2, G2	23.8	61.3	71.6	3.2	36.0	4.0	29.0	25.0	10
3, G3	27.0	70.0	79.5	3.4	43.5	3.2	36.0	-	-
4, G4	27.0	74.6	86.0	3.4	43.5	4.0	36.0	30.0	10
5, G5	30.2	79.4	92.9	3.0	51.5	3.8	45.0	35.0	12
6, G7	30.2	91.4	105.1	4.0	54.0	4.2	45.0	35.0	12
7 old	30.2	106.0	119.0	4.0	54.0	5.5	45.0	-	-
7, G8	35.0	93.5	108.5	4.0	54.0	5.5	45.0	40.0	14
8, G9	35.0	106.0	119.8	4.0	63.0	4.0	54.0	40.0	14
9	41.0	108.0	119.0	4.0	63.0	5.0	54.0	45.0	16
10	41.0	118.0	130.5	5.6	66.0	6.0	54.0	45.0	16
12	49.0	135.0	150	-	-	-	-	50	18

POWER/TORQUE TABLE

SERIES/ SIZE	TORQUE LIMITS		MEDIAN TRANSMITTED TORQUE & POWER LEVELS											
			Median Torque & power 5 degree angle, 1000 Hours lifetime						Median Torque & power 10 degree angle, 500 hours lifetime					
	MD MAX (NM)	M MAX (NM)	540 RPM			1000 RPM			540 RPM			1000 RPM		
			KW	HP	NM	KW	HP	NM	KW	HP	NM	KW	HP	NM
0	280	520	9	12	180	12	15	150	9	12	180	12	15	150
1,G1	320	750	12	16	210	18	25	172	12	16	210	18	25	172
2,G2	450	1050	15	21	270	23	31	220	15	21	270	23	31	220
3,G3	780	1700	26	35	460	40	55	380	26	35	460	40	55	380
4,G4	780	2000	26	35	460	40	55	380	26	35	460	40	55	380
5,G5	1050	2500	35	47	620	54	74	520	35	47	620	54	74	520
6G7	1450	2900	47	64	830	74	100	710	47	64	830	74	100	710
7,G8	1800	3500	55	75	970	87	118	830	55	75	970	87	118	830
8,G9	2250	3900	70	95	1240	110	150	1050	70	95	1240	110	150	1050
9	2900	4500	88	120	1560	140	190	1340	88	120	1560	140	190	1340
10	3800	5200	106	145	1890	170	230	1630	106	145	1890	170	230	1630
12	5424	11000	181	246	3200	272	370	2600	181	246	3200	272	370	2600

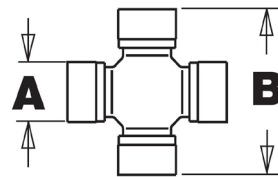
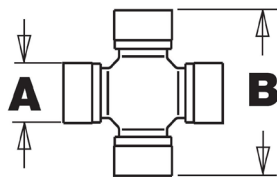
- **Md Max** = Maximum Dynamic Torque. This is defined as the maximum torque transmitted under normal working conditions. This value is considered as the max torque limit that the corresponding driveshaft series can handle at a constant rate during working conditions.
- All joints must operate for the desired lifetime under normal working conditions. For this to occur, the transmitted torque must be lower than the Maximum Dynamic Torque (**Md Max**).
- **M Max** = Maximum Torque of the driveline. The driveline is not designed to handle torque that exceeds this value.
- The driveline strength must be sufficient to transmit the desired torque under all foreseeable working conditions (example; possibility of large rocks or tree stumps in a cultivation application.). Therefore the driveline size must be selected so that the maximum torque required by the working application will always be lower than the maximum rated torque of the driveline (**M Max**) even in the case of accidental torque peaks.
- The driveline size is determined by the median torque levels and the life required, in combination with the parameter of rotational speed, joint angle and lubrication.



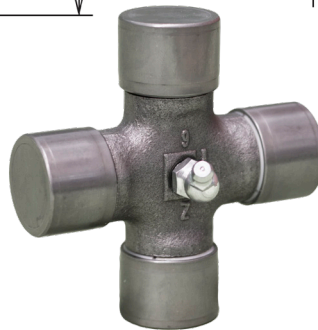


STANDARD UNIVERSAL JOINT				
SERIES	A	B	CAP GREASING	CENTRE GREASING
0	20.0	50.0	-	41220
G1,S1	22.0	54.0	4120B0012	41201
G2,S2	23.8	61.3	4120C0012	41202
G3	27.0	70.0	-	41203
G4,S4	27.0	74.6	4120E0012	41204
G5,S5-6	30.2	79.4	4120G0013	41205
G7,H7	30.2	91.5	4120H0012	41206
7 OLD	30.2	106.0	-	412070001
G8,S8,H8	34.9	93.5	4120L0013	41207
G9,S9	34.9	106.0	4120M0012	41208
9,T90	41.0	108.0	-	41209
10	41.0	118.0	412100005	41210
SH	42.0	107.5	4120N0014	-
S0	42.0	130.0	4120S0007	-
12	49.0	135.0	412200001	412200001
SK	49.0	140.0	4120K0001	-

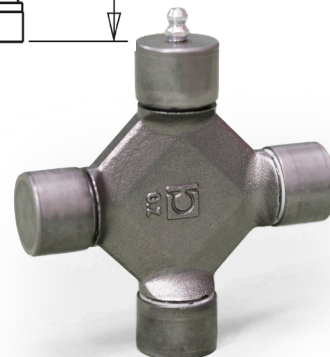
WIDE ANGLE UNIVERSAL JOINT				
SERIES	A	B	CAP GREASING	CENTRE GREASING
G2,S2	22.0	76.0	4120C0051	-
S2 003	22.0&23.8	76.0&77.6	4120C0003	-
G4,S4	22.0	86.0	4120E0051	-
2 old	23.8	61.3	-	412020003
4 old	23.8	86.0	-	412040012
G7,S6	27.0	100.0	4120G0051	-
S6 003	27.0&30.2	90.0&92	4120G0006	-
6 old	30.2	99.4	412060012	412060012
G8,S8,H8	30.2	106.0	4120L0051	-
CV60 comer	30.2	101.4&95.4	-	180.016.228
S8003	30.2&34.9	106&109	4120L0006	-
CV80 comer	35.0	113.8&106.3	-	180.016.228
S9	30.2	122.0	4120M0051	-
8 old	34.9	106.0	-	412080012
SH	34.9	110.0	4120N0051	-



Standard Universal With Cap Greasing



Standard Universal With Centre Greasing



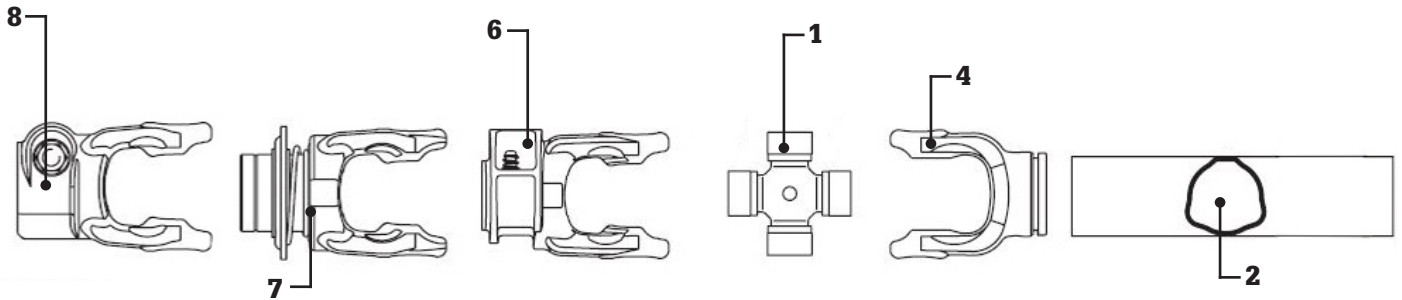
Wide Angle Universal With Cap Greasing

*** universals are available with 4 cap greasing
Please enquire!**

SERIES	1			2			3			4	
							 NON COATED **				
	UNIVERSAL JOINT			OUTER TUBE			INNER TUBE			OUTER TUBE YOKE	
	A	B	CODE	B	A	CODE	B	A	CODE	CODE	GROOVE Ø
1, G1	22.0	54.0	41201	32.5	2.6	12503	26.5	4.0	12502	204016851	40
2, G2	23.8	61.3	41202 *	36.0	3.2	12505	29.0	4.0	12504	204026851	47
3, G3	27.0	70.0	41203	43.5	3.4	12508	36.0	3.2	12505	204036851	53
4, G4	27.0	74.6	41204 *	43.5	3.4	12508	36.0	4.0	12507	204046851	53
5, G5	30.2	79.4	41205 *	51.5	3.0	12510	45.0	3.8	12597	204056860	62
6, G7	30.2	91.4	41206 *	54.0	4.0	12512	45.0	4.2	12509	204066851	68
7old	30.2	106.5	412070001	54.0	4.0	12512	45.0	5.5	12511	204076851	68
7, G8	35.0	93.5	41207 *	54.0	4.0	12512	45.0	5.5	12511	204176851	68
8	35.0	106.0	41208 *	63.0	4.0	12522	54.0	4.0	12512	204086860	80
8C	35.0	106.0	41208 *	54.0	4.0	12512	45.0	4.2	12509	204086851	80
G9	35.0	106.0	41208 *	63.0	4.0	12522	54.0	4.0	12512	204086879	89
9	41.0	108.0	41209	63.0	4.0	12522	54.0	5.0	12513	204196851	80
10	41.0	118.0	41210 *	66.0	5.6	12515	54.0	6.0	12514	204106851	80

* Cap greasing available

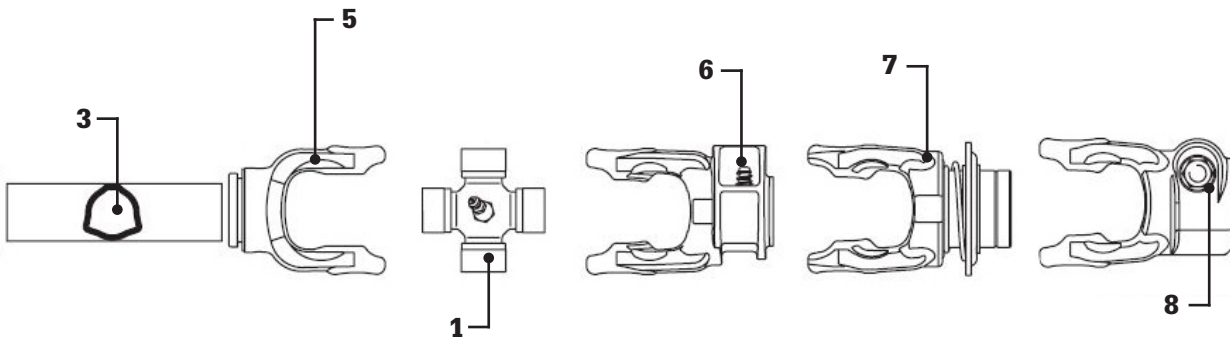
** Refer to page 24 for coated tri tubes





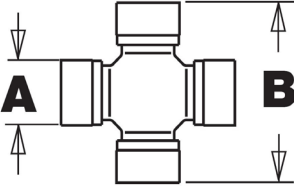

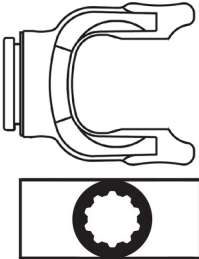

5		6		7				8		
INNER TUBE YOKE		PUSH PIN YOKE		BALL COLLAR END YOKE				TAPER BOLT END YOKE		
CODE	GROOVE Ø	1 3/8" Z6	1 3/8" Z21	1 3/8" Z6	1 3/8" Z21	1 3/4" Z6	1 3/4" Z20	1 3/8" Z6	1 3/4" Z6	1 3/4" Z20
204016852	34	5070B0355	5070B3755	5720B0355	5720B3776	-	-	-	-	-
204026852	40	5070C0355	5070C3755	5720C0355	5720C3776	-	-	-	-	-
204036852	46	507030351	507033751	-	-	-	-	-	-	-
204046852	46	5070E0355	5070E3755	5720E0355	5720E3755	-	-	5090E0360	-	-
204056861	53	5070G0355	5070G3755	5720G0355	5720G3755	5720G0455	5720G3855	5090G0360	5090G0460	5090G3860
204066852	59	5070H0355	5070H3755	5720H0355	5720H3755	5720H0455	5720H3855	5090H0360	5090H0460	5090H3860
204076852	59	507070351	507073751	-	-	-	507073861	-	-	-
204176852	59	5070L0355	5070L3755	5720L0355	5720L3755	5720L0455	5720L3855	5090L0360	5090L0460	5090L3860
204086861	68	5070M0355	5070M3755	5720M0351	5720M3755	5720M0451	5720M3851	5090M0360	5090M0460	5090M3860
204086852	68	5070M0355	5070M3755	5070M3755	5270M3755	5720M0451	5720M3851	5090M0360	5090M0460	5090M3860
204086880	86	5070M0355	5070M3755	5070M3755	5270M3755	5720M0451	5720M3851	5090M0360	5090M0460	5090M3860
204196852	68	-	-	572090351	572093751	572090451	572093851	509190352	509190452	509193852
204106852	68	-	-	572100351	572103751	572100451	572103851	509100353	509100455	509103853

***Sizes 3,9 and 10 quick release yoke only available with twist collar conection.**



SPLINED BAR SHAFTS

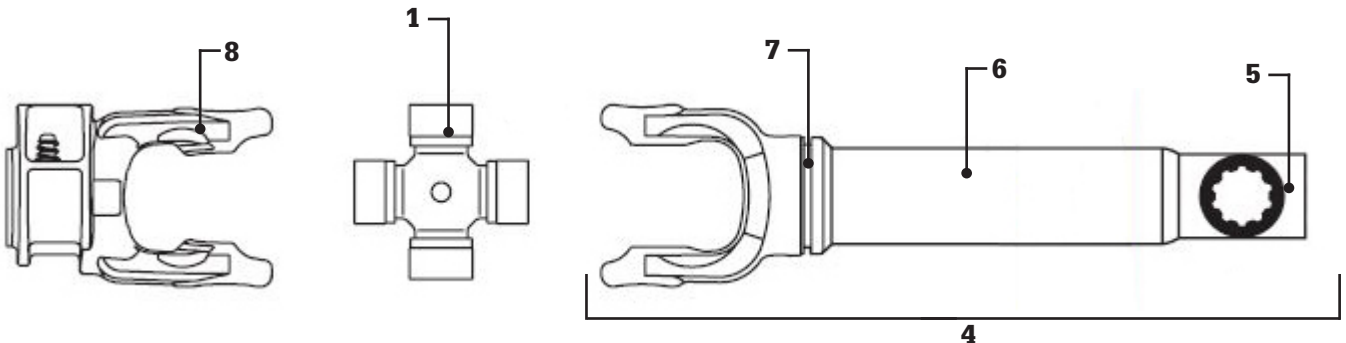
TRI SERIES

SERIES	1			2			3	4
								
	UNIVERSAL JOINT			SOLID SPLINED BAR			SPLINE BAR YOKE	OUTER HALF ASSY
	A	H	CODE	Ø	Z **	CODE	CODE	CODE
2	23.8	61.3	41202 *	25	10	24915	204023151	269B2
4	27.0	74.6	41204 *	30	10	24917	204043251	569B4
5	30.2	79.4	41205 *	35	12	24911	204053361	569B5
6	30.2	91.4	41206 *	35	12	24911	204063361	569B6
7	35.0	93.5	41207 *	40	14	24921	204173451	569B7
8	35.0	106.0	41208 *	40	14	24921	204083460	569B8
9	41.0	108.0	41209	45	16	24923	204198151	569B9
10	41.0	118.0	41210 *	45	16	24923	204108151	569B0
12	49.0	135.0	412200001 *	50	18	24925	204203556	-
S8	34.9	93.5	4120L0013 *	40	14	24921	2040L3453	52A589006
S9	34.9	106.0	4120M0012 *	45	16	24928	2040M8152	52A59
SH	42.0	107.5	4120N0014 *	45	16	24928	2040N8152	52A5H
S0	42.0	130.0	4120S0007 *	45	16	24928	2040S8151	52A500469

* Cap greasing available

** Z = Number of splines.

Please specify length



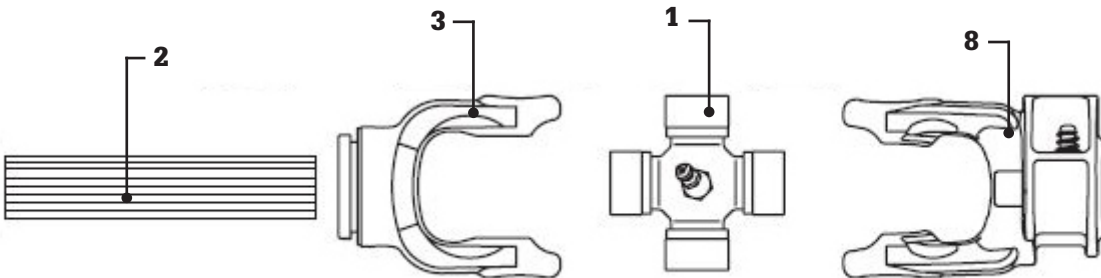
SPLINED BAR / 400 SERIES





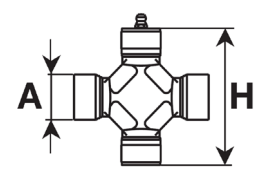
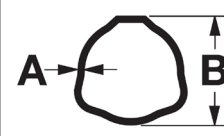
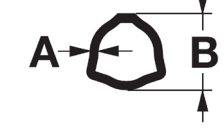
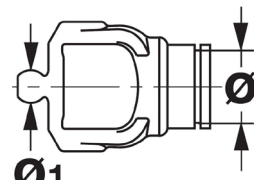
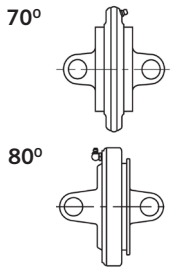
5		6	7	8		
WELD-IN FEMALE SPLINED NIB		DRIVE TUBE	WELD YOKE	QUICK RELEASE END YOKE		
SHAFT Ø	Z SPLINES	CODE	CODE	CODE	1 3/8" Z6	1 3/8" Z21
25	10	226003101	-	204025353	5070C0355	5070C3755
30	10	226003201	-	204045353	5070E0355	5070B3755
35	12	226003301	-	204055535	5070G0355	5070G3755
35	12	226003301	-	206065353	5070H0355	5070H3755
40	14	266003401	13681*	204175351	5070L0355	5070L3755
40	14	226003401	13681*	204085361	5070M0355	5070M3755
45	16	226008101	13674*	204193351	572090351	572093751
45	16	226008101	13674*	204105351	572100351	572103751
50	18	226003502	226003527	204205359	507200302	507203702

***All end yokes that suit standard joints will suit splined shaft joints.**



WIDE ANGLE JOINT

TRI SERIES

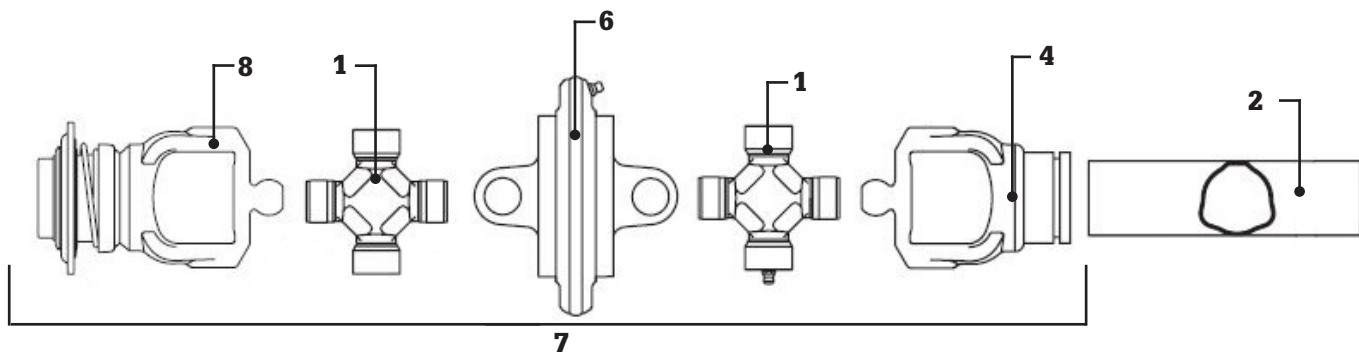
SERIES	1			2			3			4			6	
														
	UNIVERSAL JOINT			OUTER TUBE FITS RILSAN			INNER TUBE RILSAN COATED			OUTER TUBE YOKE			CENTRE BODY	
A	H	CODE	B	A	CODE	B	A	CODE	CODE	Ø	Ø1			

OLD TYPE

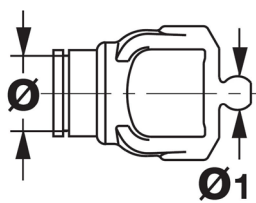
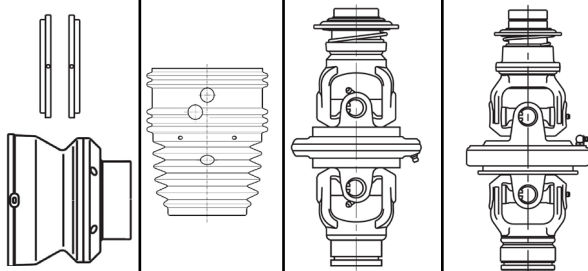
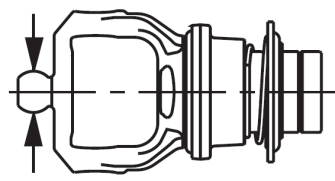
652	23.8	61.3	412020003	36.0	2.9	12518	29.6	4.3	24504	208026873	47	18	512020051
654	23.8	86.0	412040012	43.5	3.1	12516	36.6	4.8	24510	215046873	53	24	511040051
656	30.2	99.4	412060012	54	3.7	12517	45.6	4.3	24516	215066872	68	26	511060051
658	35	106	412080012	63	3.7	12521	54.6	4.3	24569	215086870	80	28	511080051

NEW TYPE

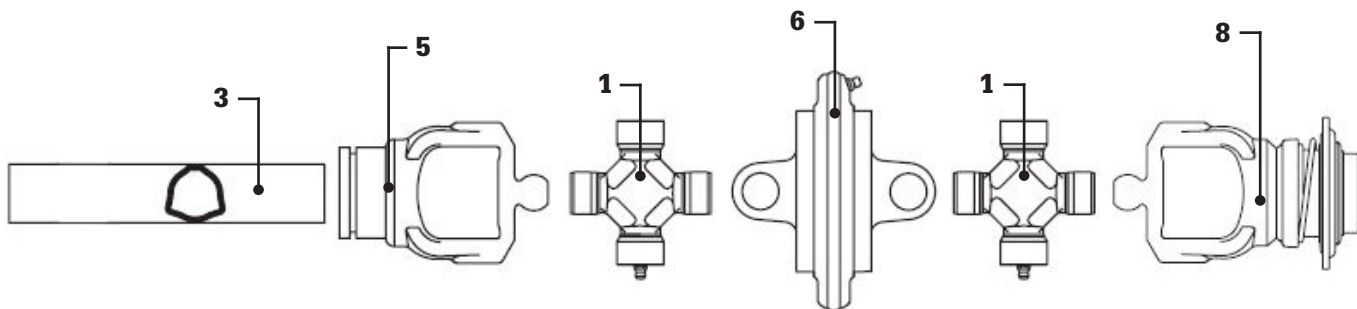
G2	22.0	76.0	4120C0051	36.0	2.9	12518	29.6	4.3	24504	2150C6864	47.4	21	5110C0053
G4	22.0	86.0	4120E0051	43.5	3.1	12516	36.6	4.3	24510	2150E6885	53.4	24	5110E0052
G5	27.0	100	4120G0051	51.5	2.7	12520	45.6	4.1	24511	2150G6891	62.4	28	5110G0061
G7	27.0	100	4120G0051	54.0	3.7	12517	45.6	4.5	24516	2150G6893	68.4	28	5110G0061
1R6	27.0	100	4120G0051	54.0	3.7	12517	45.6	4.5	24516	2150G6885	68.0	28	5110G0061
G8	30.2	106	4120L0051	54.0	3.7	12517	45.6	5.8	24518	2150L6875	68.4	34	5110L0063
1R8	30.2	106	4120L0051	54.0	3.7	12517	45.6	5.8	24518	2150L6873	80.0	34	5110L0063





5			7			8			
									
INNER TUBE YOKE			HARD SHELL COVER	NEW CV FLEXI CONE	COMPLETE JOINT (OLD)	COMPLETE JOINT (NEW)	QUICK RELEASE END YOKES		
CODE	Ø	Ø1					1 3/8" Z6	1 3/8" Z21	1 3/4" Z20
OLD TYPE									
208026874	40	18	517027002	-	7G52049R07	-	573020379	573023764	573043875
215046874	46	24	517048001	-	7G54049T07	-	573040382	573043775	573043875
215066871	59	26	517068001	-	7G56049T07	-	573060399	573063781	573063875
215086869	68	28	517088001	-	7G58049T07	-	573080399	573083799	573083875
NEW TYPE									
2150C6865	40.4	21	-	219021401	-	7G2GWW49WR7	5730C0377	5730C3789	-
2150E6887	46.4	24	-	219041401	-	7G4GWW49WR7	5730E0384	5730E3784	5730E3884
2150G6892	53.4	28	-	219051401	-	7G5GWW49WR7	5730G0384	5730G3784	5730G3884
2150G6894	59.4	28	-	219051401	-	7G7GWW49WR7	5730G0384	5730G3784	5730G3884
2150G6887	59.0	28	-	2190G0150	-	71G6W49WR7	5730G0384	5730G3784	5730G3884
2150L6876	59.4	34	-	219081401	-	7G8GWW49WR7	5730L0384	5730L3784	5730L3884
2150L6874	68.0	34	-	517080200	-	71G8W49WR7	5730L0384	5730L3784	5730L3884

*Bolted end yokes also available



100 SERIES STANDARD SAFETY COVERS			
SERIES	INNER BEARING	OUTER BEARING	CODE
1	30.4	40.4	5F-01-121-FF
2	40.4	47.4	5F-02-121-FF
3	46.4	53.4	5F-03-121-FF
4	46.4	53.4	5F-04-121-FF
5	53.4	62.4	5F-05-121-FF
6	59.4	68.4	5F-06-121-FF
7	59.4	68.4	5F-07-121-FF
8	68.4	80.4	5F-08-121-FF
9	68.4	80.4	5F-09-121-FF
10	68.4	80.4	5F-10-121-FF



**100 series (old style)
standard Safety covers**

GLOBAL SERIES STANDARD SAFETY COVERS			
SERIES	INNER BEARING	OUTER BEARING	CODE
G1	34.4	40.4	5CG1121FXSS
G2	40.4	47.4	5CG2121FXSS
G3	46.4	53.4	5CG3121FXSS
G4	46.4	53.4	5CG4121FXSS
G5	53.4	62.4	5CG5121FXSS
G7	59.4	68.4	5CG7121FXSS
G8	59.4	68.4	5CG8121FXSS
G9	89	86	5CS8086FXSS

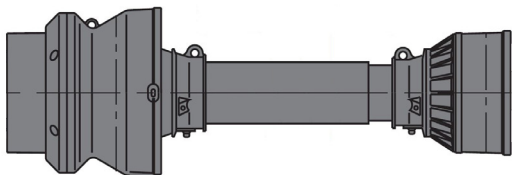


**Global (new style)
standard Safety covers**

When ordering cover sets please specify required length

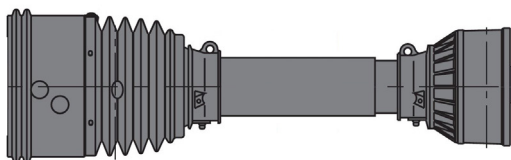


100 SERIES 70° WIDE ANGLE COMPLETE COVER				
SERIES	INNER BEARING	OUTER BEARING	WIDE ANGLE BEARING X2	CODE
652	40.4	47.4	83.4	5F-02-121-R1-652
654	46.4	53.4	105.4	5F-04-121-R1-654
656	59.4	68.4	125.4	5F-06-121-R1-656
658	68.4	80.4	140.4	5F-08-121-R1-658



100 Series (old style) 70° Wide angle Safety covers (two shells screw together)

1R SERIES 80° WIDE ANGLE COMPLETE COVER				
SERIES	INNER BEARING	OUTER BEARING	WIDE ANGLE BEARING	CODE
1R2	40.4	47.4	101.0	5F-02-121-R1-WIFX
1R4	46.4	53.4	101.0	5F-04-121-R1-WIFX
1R6	59.4	68.4	128.0	5F-06-121-R1-WIFX
1R8	68.4	80.4	147.0	5F-08-121-R1-WIFX



100 Series 1R 80° Wide angle Safety covers

GLOBAL SERIES 80° WIDE ANGLE COMPLETE COVER				
SERIES	INNER BEARING	OUTER BEARING	WIDE ANGLE BEARING	CODE
G2	40.4	47.4	101.0	5CG2121FXWS
G4	46.4	53.4	101.0	5CG4121FXWS
G5	53.4	62.4	128.0	5CG5121FXWS
G7	59.4	68.4	128.0	5CG7121FXWS
G8	59.4	68.4	147.0	5CG8121FXWS

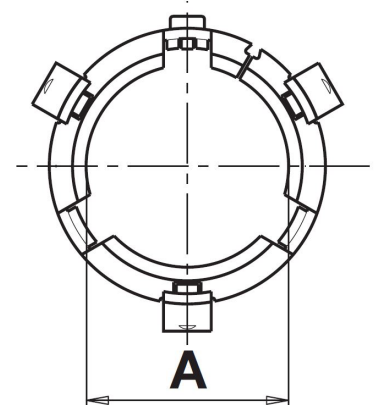
When ordering cover sets please specify required length



Global (new style) Wide angle Safety covers

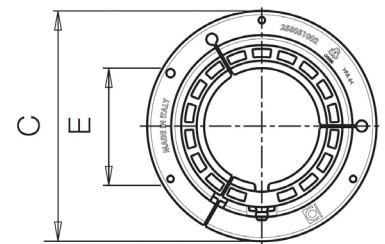
SAFETY COVER BEARINGS

TYPE 1 BEARING 100 SERIES				
BEARING FOR OUTER TUBE YOKE			BEARING FOR INNER TUBE YOKE	
SERIES	A	CODE	A	CODE
1	40.4	255010005	30.4	255010006
2	47.4	255020005	40.4	255020006
3-4	53.4	255040005	46.4	255040006
5	62.4	255050005	53.4	255050006
6-7	68.4	255060005	59.4	255060006
8-12	80.4	255080005	68.4	255080006



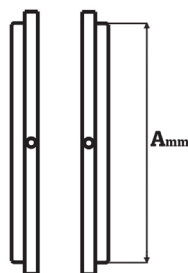
Older version - tri-lug Type 1

TYPE 2 BEARING GLOBAL SERIES						
BEARING FOR OUTER TUBE YOKE				BEARING FOR INNER TUBE YOKE		
SERIES	E	C	CODE	E	C	CODE
G1	40.4	103	255011002	34.4	103	255011001
G2	47.4	103	255021002	40.4	103	255021001
G3-4	53.4	109	255041002	46.4	109	255041001
G5	62.4	124	255051002	53.4	124	255051001
G7-8	68.4	124	255071002	59.4	124	255071001



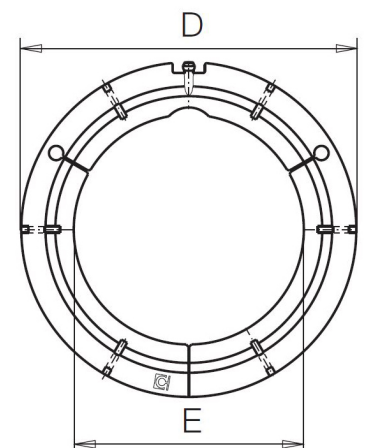
New Version - Global Type 2

100 SERIES WIDE ANGLE BEARINGS	
A	CODE
83.5	255020451
105.4	255040351
125.4	255060351
140.5	255080351



Old Type CV Bearing Rings

GLOBAL WIDE ANGLE BEARINGS		
D	E	CODE
160	101	2550E0005
187	128	2550G0024
206	147	2550L0023



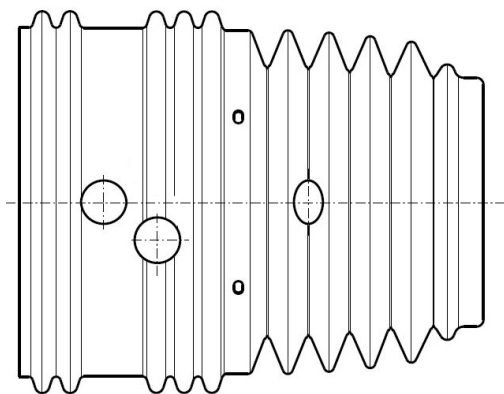
80° Wide Angle Joint Bearing

Be sure to measure the bearing groove on the Yoke, remember to measure the inner and outer bearings as they are different. You can usually find the part number embossed into the plastic bearing.

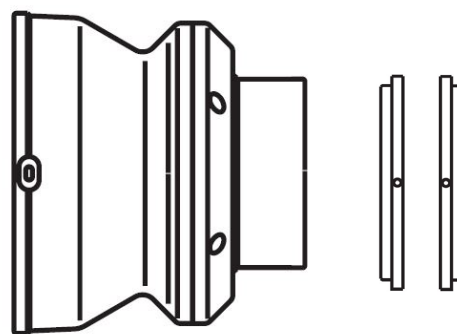


WIDE ANGLE CONE (NEW STYLE)		
SERIES	BEARING I.D.	CODE
G2	101	219021401
G4	101	219041401
G5-G7	128	219051401
1R6	128	2190G0150
G8	147	219081401
1R8	147	517080200

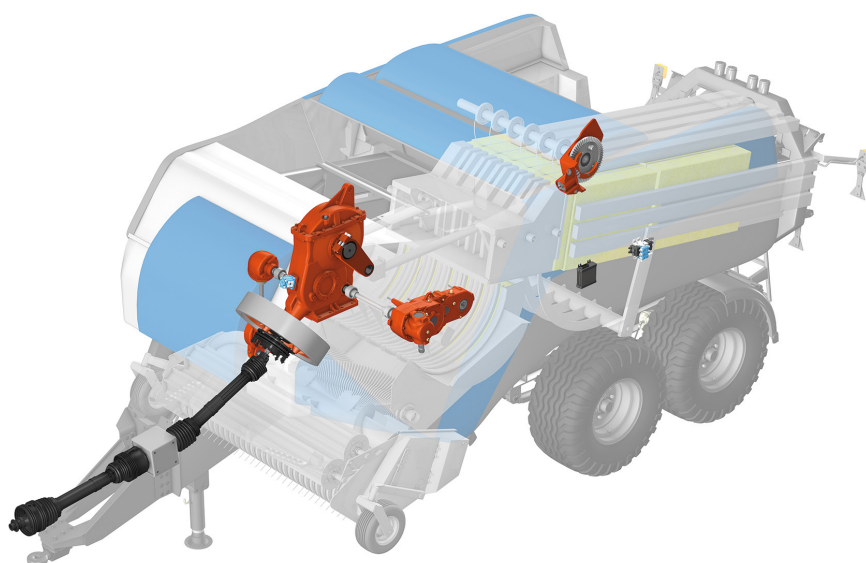
WIDE ANGLE CONE (OLD STYLE)		
SERIES	BEARING I.D.	CODE
652	83.4	517027002
654	105.4	517048001
656	125.4	517068001
658	140.4	517088001



**80° Wide Angle
Flexi bellow with
single bearing and
screws.**



**Old version 70° Wide
Angle 2 piece shell
with 2 bearings and
screws**



STANDARD DRIVESHAFT				
SERIES	HP	CROSS SIZE		CODE
G1	16-25	22.0	54.0	7G1N121FX007007
G2	21-31	23.8	61.3	7G2N121FX007007
G3	35-55	27.0	74.6	7G3N121FX007007
G4	35-55	27.0	74.6	7G4N121FX007007
G5	47-74	30.2	79.4	7G5N121FX007007
G7	64-100	30.2	91.4	7G7N121FX007007
G8	83-130	35.0	93.5	7G8N121FX007007
G9	95-150	35.0	106.0	7G9N121FX007007



WIDE ANGLE DRIVESHAFT				
SERIES	HP	CROSS SIZE		CODE
G2	21-34	22.0	76.0	7G2R121FXWR7007
G4	35-55	22.0	86.0	7G4R121FXWR7007
G7	64-100	27.0	100.0	7G7R121FXWR7007
G8	83-130	30.2	106.0	7G8R121FXWS7007



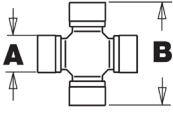
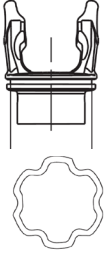
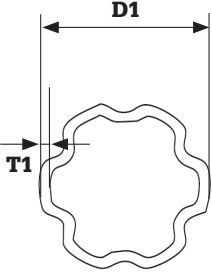
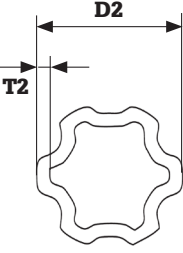
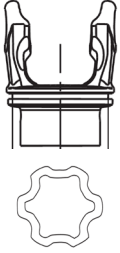
- **Please provide required length and yoke spline.**
- **We can custom build shafts to suit your requirements.**
- **We can fit clutches upon requests.**
- **All Tri series shafts come with Tri profile tube pictured below.**
- **Go to pg. 15 for the 4 lobed SFT complete driveshafts**



COMER INDUSTRIES 6 LOBED SERIES



COMER

SERIES										
	JOINT SIZE		OUTER TUBE YOKE	OUTER TUBE			INNER TUBE			INNER TUBE YOKE
	A	B	CODE	D1	T1	CODE	D2	T2	CODE	CODE
V40	27.0	74.6	151.014.427	45.7	3.0	191.140.800	39.3	4.5	191.140.700	151.014.428
V50	30.2	80.0	151.015.361	57.6	3.5	191.160.800	50.2	4.5	191.160.700	151.015.362
V60	30.2	92.0	151.016.388	57.6	3.5	191.160.800	50.2	4.5	191.160.700	151.016.389
V80	35.0	106.5	151.018.241	66.5	4.0	191.190.800	58.1	5.0	191.190.700	151.018.242
V90	41.0	108.0	151.019.166	66.5	4.0	191.190.800	58.1	5.0	191.190.700	151.019.167

Above tubes can be cut to length

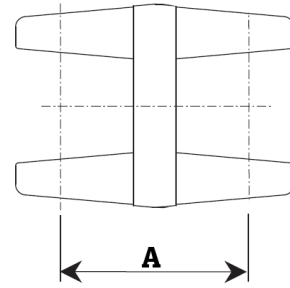


COMER WIDE ANGLE COVER SETS	
SERIES	CODE
T60, V60	1427615163650
T80, V80	1427815143850

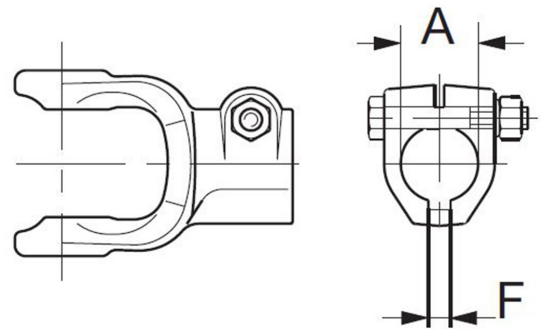
COMER TUBES, YOKES & COVERS



H YOKES		
CROSS SIZE	A	CODE
22x54	75	213010053
23.8x61.3	82	213020053
27x70	90	213030053
27x74.6	96	213040053
30.2x79.4	103	213050053
30.2x91.4	103	213060053
35 x 93.5	120	2130L0052



BORE YOKES			
CROSS SIZE	A	F	CODE
23.8x61.3	30mm	8mm	509026252
	1"	1/4"	509028551
27.0x74.6	30mm	8mm	509046252
	35mm	10mm	509046352
30.2x79.4	35mm	10mm	509056352
	1 1/4"	5/6"	509058651
30.2x91.4	30mm	8mm	509066252
	35mm	10mm	509066352
	40mm	12mm	509066452
	1 3/4"	3/8"	509068851
	1 1/4"	5/6"	509068651
35.0x93.5	35mm	10mm	509176352
	40mm	12mm	509176451
35.0x106.5	35mm	10mm	509086352
	40mm	12mm	509086452
	45mm	14mm	5090M6551

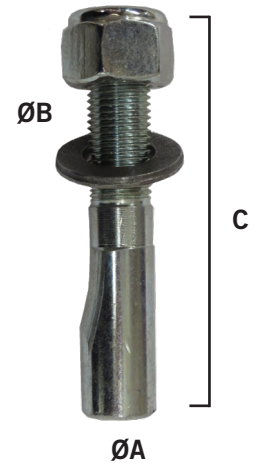


Not all bore yokes are listed. Please enquire



TAPERED PIN KITS				
CODE	A	B	C	SUITS
408000075*	14	M12	63, 71, 73	1 3/8" Standard Yoke
408000076*	16	M14	79, 83, 83	1 3/4" Standard Yoke
408000046	16	M14	83	1 3/4" FV, FFV Clutches
408000047	14	M12	73	1 3/8" FV, FFV, FT, LR, RL Clutches
408000052	16	M14	72	1 3/4" LR, SB Clutches

Torque Settings For Taper Pins: 1 3/8"= 150Nm | 1 3/4"= 220Nm

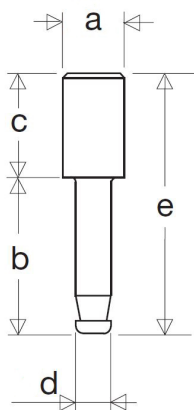


*Comes with three pins. Use the pin that fits all the way into the hole.

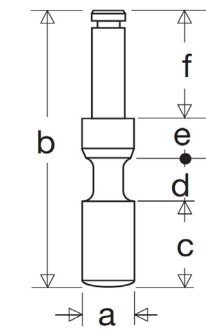
PUSH PINS

PUSH PINS - TYPE 1 (LATER MODELS)					
CODE	A	B	C	D	E
403000001	13.85	27	20	8	47
403000010	13.85	29	37.5	8	66.5
403000020	13.85	14.2	23	8	37.2
403000032	13.85	34	26	8	60
403000011	15.85	30.5	38	8	68.5
403000012	15.85	35	25	8	60
403000008	15.85	28	29.5	8	57.5

PUSH PINS - TYPE 2 (OLD SERIES YOKES)						
CODE	A	B	C	D	E	F
401000001	13.85	74.5	22	12	11	29.5
401000009	13.85	81	20	22.5	10	28.5
401000028	13.85	91.5	27	22.5	10	32
401000033	13.85	91.5	33	13	13.5	32
401000007	15.85	83.5	23.5	22	9.5	28.5
401000010	15.85	87	25	15	14	33
401000021	15.85	83.5	26	14.5	13	30
401000026	15.85	94.5	32	15.5	13.5	33.5



Type 1



Type 2

FRICTION DISCS

FRICTION DISC	
SIZE O.D X I.D	CODE
122mm x 67mm	247006151
140mm x 85mm	247000054
141mm x 77mm	247006251
150mm x 91mm	020003E
162mm x 85mm	247006351
160mm x 97mm	247000061
162mm x 89mm	247006352
200mm x 130mm	824007



***Please note that when replacing friction discs, it is necessary to replace all the discs to get an effective repair.**

BALL COLLAR KITS

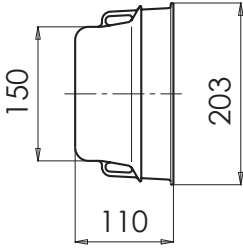
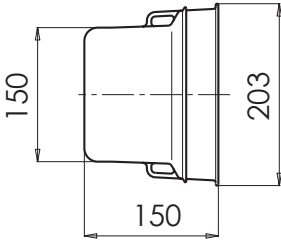
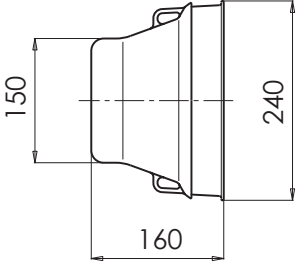
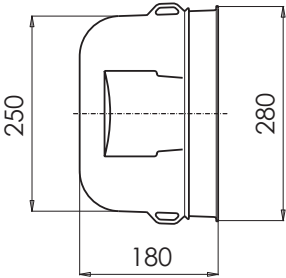
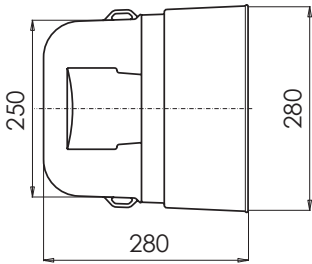
STANDARD BALL COLLAR REPAIR KITS			
1 3/8"	SUITS	1 3/4" YOKES	SUITS
435000320	S1-S2 Yokes	435000418	S5-H7 Yokes
435000321	S4-H7 Yokes	435000419	S8-H8 Yokes
435000322	S8-S0 Yokes	435000322	
435000314	S9 W/A	435000416	SH-S0 Yokes

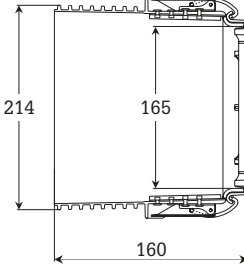
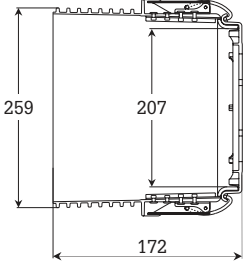
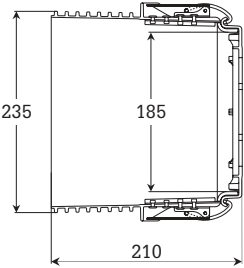
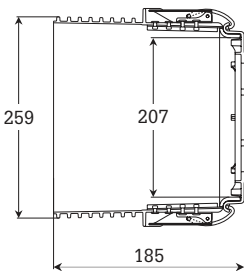
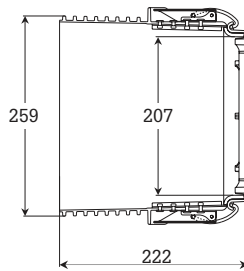
WIDE ANGLE SHAFT BALL COLLAR REPAIR KITS	
1 3/8" SPLINES	1 3/4" SPLINES
435000323	435000420
435000314	

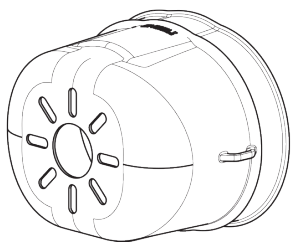


***Other special ball collar kits are available on request. If unsure on sizes, please don't hesitate to ask us.**



STANDARD CONE	
DIMENSIONS	CODE
	21901
	21902
	21903
	2190402
	517000E04

QUICK RELEASE CONE	
DIMENSIONS	CODE
	395002120
	395002525
	395002340
	395002530
	395102545 (Extreme Heat Resistant)





BONDIOLI & PAVESI



SAFETY CLUTCHES & THEIR APPLICATIONS



Overrun Clutch

Benefits:

- Allows implements to wind down freely once tractor pto has been shut off.

Uses:

- Mowers and machines with high rotational inertia

pg.38-43



Overload Ratchet
Radial pin clutch

Benefits:

- Protection from shock loads, blockages and torque peaks on start up

Uses:

- Hay tedders, rakes and harvesters

pg.44-48



Shearbolt Clutch

Benefits:

- Easy to use, simple overload protection. Cheaper option to a cam clutch.

Uses:

- Mixer wagons, flood pumps and power harrows

pg.49



Friction Clutch

Benefits:

- Protection from high start up torque and blockages whilst maintaining factory torque setting

Uses:

- Rotary hoes and mowers

pg.50-58



Friction Clutch
With Internal
Overrun

Benefits:

- Benefit of friction and overrun features in one combined unit. Great for when space is limited.

Uses:

- Strawblowers and haymowers

pg.59-62



Cam Clutch
Automatic
Torque Limiter

Benefits:

- Temporarily interrupts power to the implement during torque overloads. Re-engages when tractor rpm is lowered.

Uses:

- Rotary hoes, power harrows, balers, silage wagons

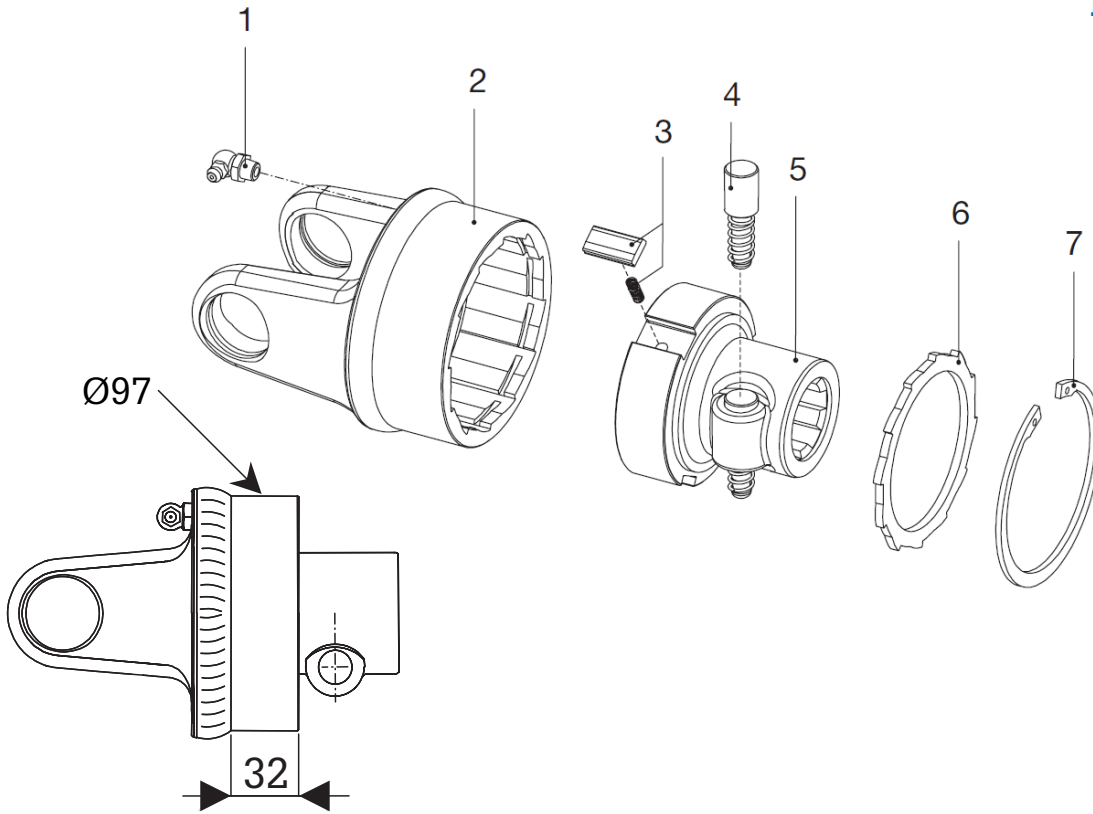
pg.63-66

CLUTCH TYPE	MODEL	PAGE
Overrunning Clutch	RA1	38
	RA2	39-40
	RA3	41
	RL2	42
	RL3	43
Overload Ratchet Radial Pin Clutch	SA2	44
	SA3	45
	LN2	46
	LN3	47
	LT4	48
Shearbolt Yoke	LB	49
Friction Clutch (Disc Clutch)	FF1,2	50
	FF3,4	51
	FFV34	52
	FFV44	53
	FV22	54
	FV32	55
	FV34	56
	FV42	57
	FV44	58
Friction Clutch With Internal Overrun clutch	FNV34	59
	FNV44	60
	FNT34	61
	FNT44	62
Cam Clutch With Internal Overrunning	LR23-OR	63
Cam Clutch Automatic Torque Limiter	LR23	64
	LR24/24IR	65
	LR35/35IR	66

***Other Special Clutches Not Listed May Be Available.**

OVERRUN CLUTCH: RA1

Up To 2400NM
Seasonal
Lubrication

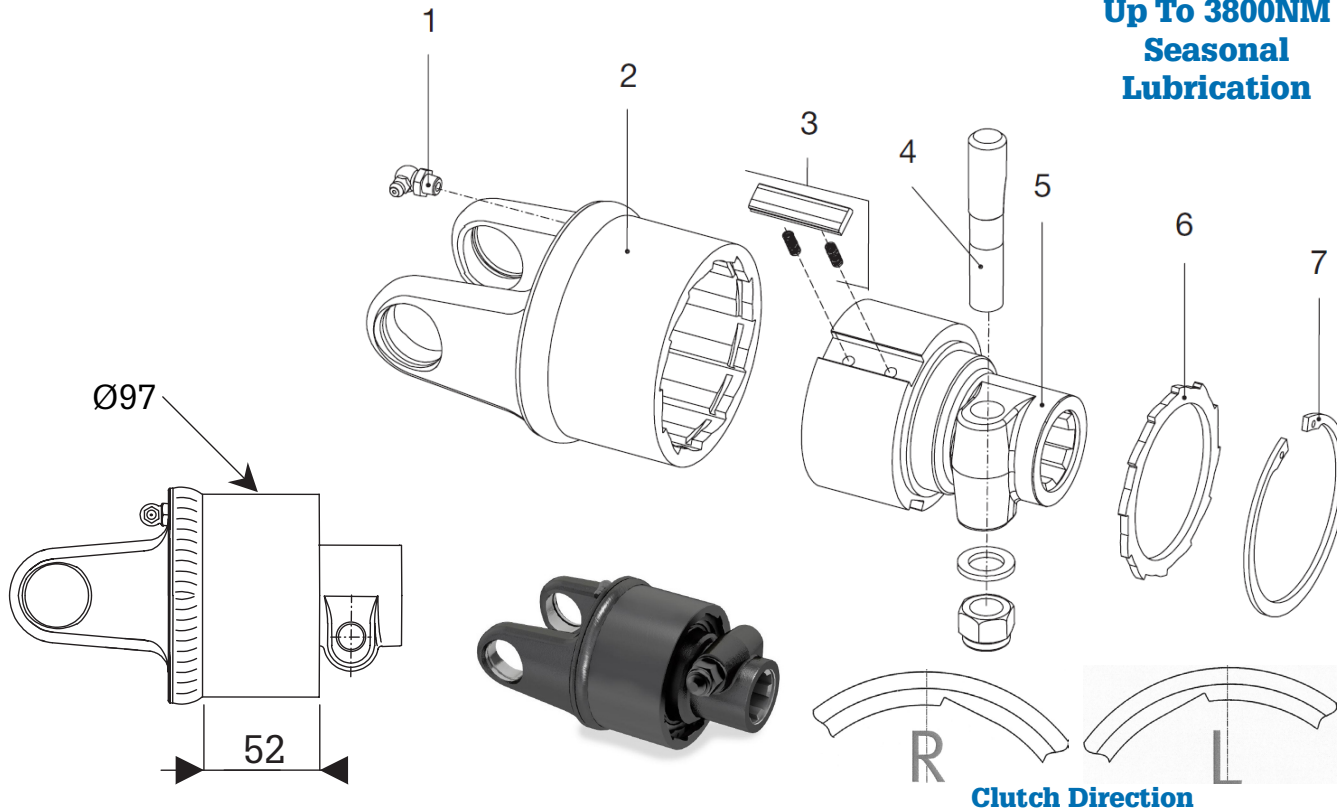


REFERENCE	CODE	DESCRIPTION	NOTES
Complete Clutch	601102701	1 3/8" Z6	Cross size: 23.8 x 61.3
	601104701		Cross size: 27.0 x 74.6
1	348014000	Grease Fitting	
2	418011201	Housing	Cross size: 22.0 x 54.0
	418021201		Cross size: 23.8 x 61.3
	418041201		Cross size: 27.0 x 74.6
	418051201		Cross size: 30.2 x 79.4
3	4210C0001	Pawl + Spring	22.7 x 13 x 4.9
4	403000001	Push Pin Kit	1 3/8" Z6
5	5130C0301	Hub With Push Pin	1 3/8" Z6
	5130C3701		1 3/8" Z21
6	246000132	Seal Plate	
7	338005000	Circlip	



OVERRUN CLUTCH: RA2

Up To 3800NM
Seasonal
Lubrication

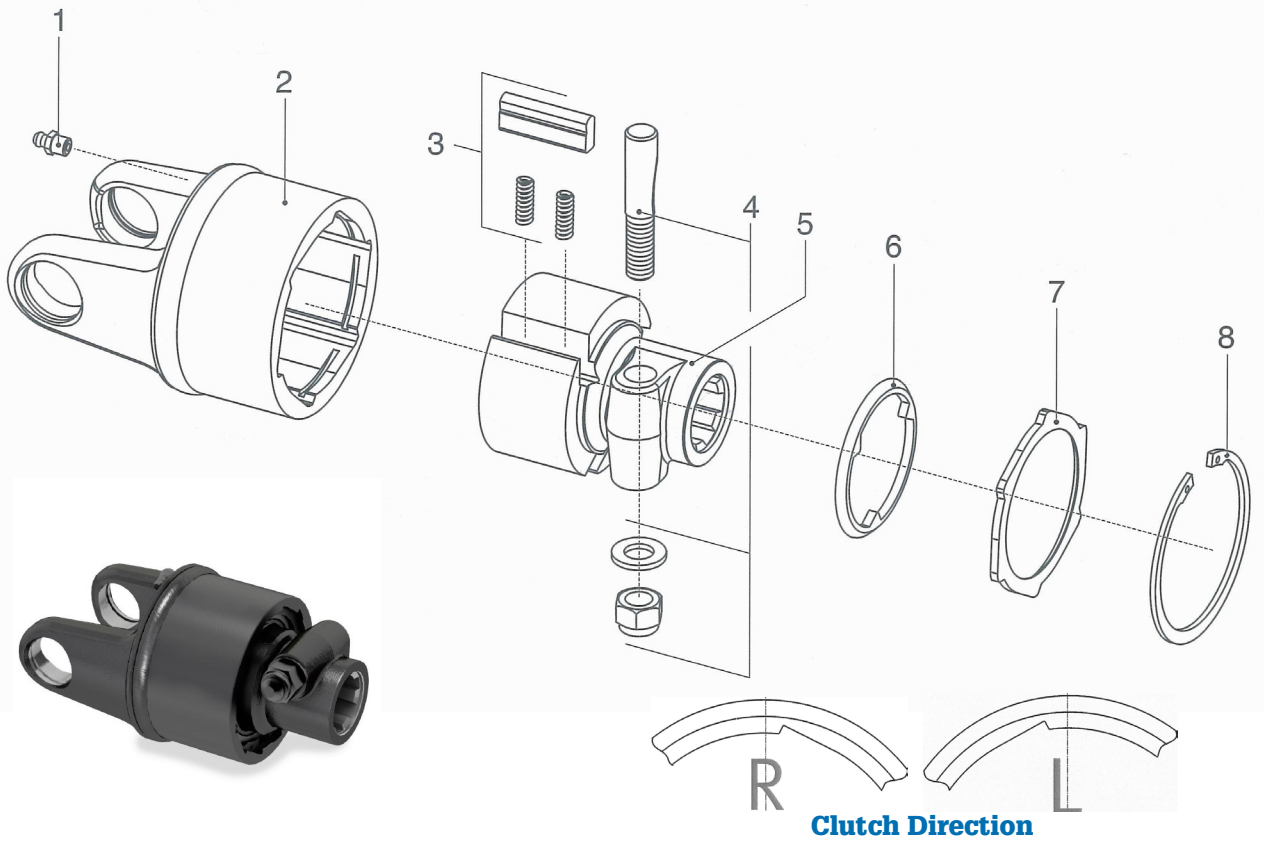


REFERENCE	CODE	DESCRIPTION	NOTES
Complete Clutch	601205601	1 3/8"Z6 RH	Cross size: 30.2 x 79.4
	601206601		Cross size: 30.2 x 91.4
	601217601		Cross size: 34.9 x 93.5
	601208601		Cross size: 34.9 x 106
1	348014000	Grease fitting	
2	418052203	Housing	Cross size: 30.2 x 79.4
	418062203		Cross size: 30.2 x 91.4
	418172203		Cross size: 34.9 x 93.5
3	4210E0001	Pawl + springs kit	42.5 x 13 x 4.9
4	408000047	Taper pin kit	1 3/8" Z6 - Z21
	408000046		1 3/4" Z6 - Z20
5	5150E0301	Hub with taper pin	1 3/8" Z6
	5150E3701		1 3/8" Z21
	5150E0401		1 3/4" Z6
	5150E3801		1 3/4" Z20
6	246000132	Seal plate	1 3/8" Z6 - Z21
	246000134	Two piece seal plate	1 3/4" Z6 - Z20

Left hand versions available. Please enquire

OVERRUN CLUTCH: OLD RA2

Up To 3800NM
Seasonal
Lubrication

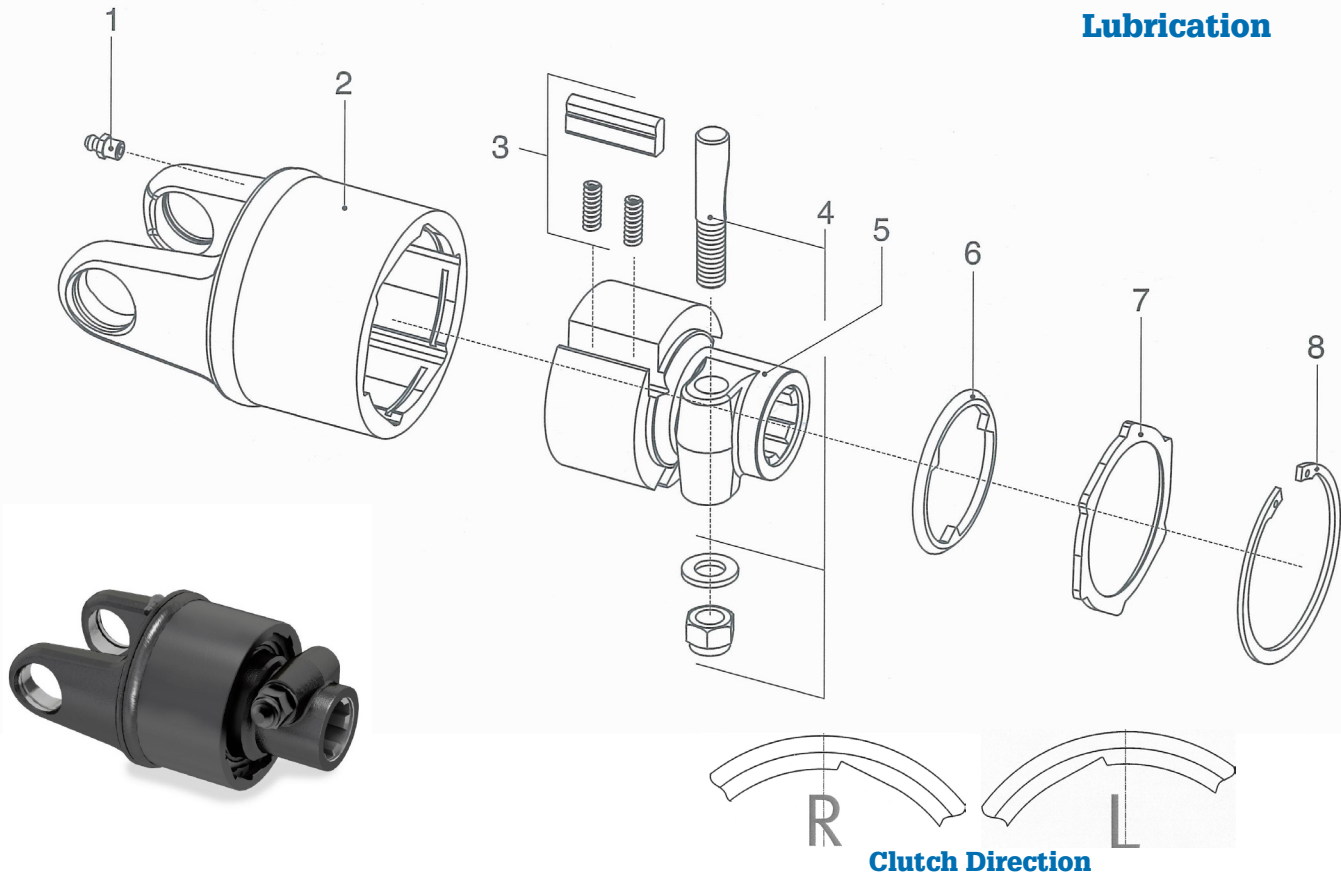


REFERENCE	CODE	DESCRIPTION	NOTES
1	348001000	Grease fitting	
2	418052120	Housing	Cross size: 30.2 x 79.4
	418062120		Cross size: 30.2 x 91.4
	418172120		Cross size: 35.0 x 93.5
	-		Cross size: 35.0 x 106.0
	-		Cross size: 41.0 x 108.0
	-		Cross size: 41.0 x 118.0
3	421022101	Pawl with springs	42 x 16.8 x 8
4	408000047	Taper pin	
5	515020305	Hub with taper pin	1 3/8" Z6
	-		1 3/8" Z21
6	246000005	Support ring	
7	246000010	Seal plate	
8	338005000	Retaining ring	



OVERRUN CLUTCH: OLD RA3

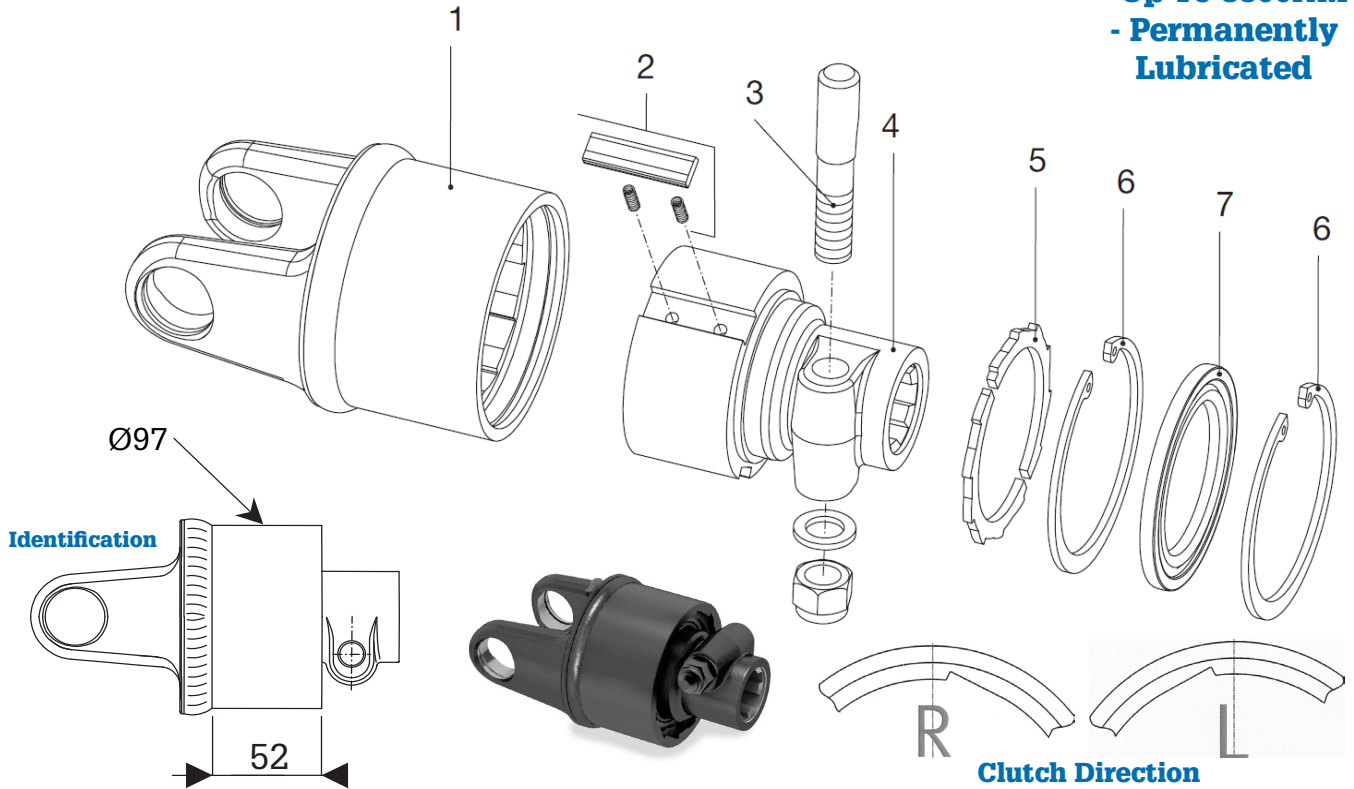
Up To 6200NM
Seasonal
Lubrication



REFERENCE	CODE	DESCRIPTION	NOTES
1	348001000	Grease fitting	
2	-	Housing	Cross size: 30.2 x 79.4
	-		Cross size: 30.2 x 91.4
	-		Cross size: 35.0 x 93.5
	418083004		Cross size: 35.0 x 106.0
	418193002		Cross size: 41.0 x 108.0
	418103101		Cross size: 41.0 x 118.0
3	421463101	Pawl with springs	63 x 16.8 x 8
4	408000047	Taper pin	
5	515460305	Hub with taper pin	1 3/8" Z6
	515463702		1 3/8" Z21
6	246000005	Support ring	
7	246000010	Seal plate	
8	338005000	Retaining ring	

OVERRUN CLUTCH: RL2

- Up To 3800NM
- Permanently Lubricated

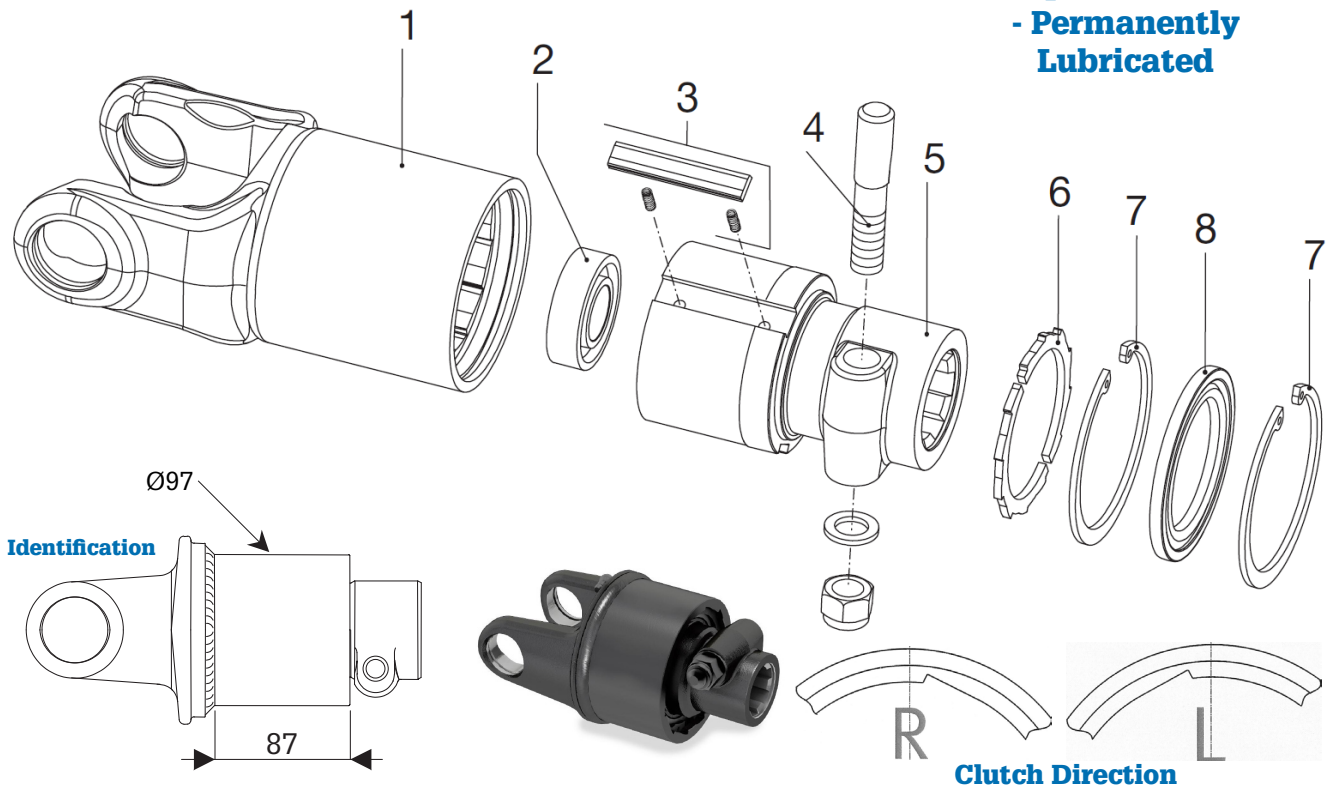


REFERENCE	CODE	DESCRIPTION	NOTES
Complete Clutch	60160G601	1 3/8"Z6	Cross size: 30.2 x 79.4
	60160H601		Cross size: 30.2 x 91.4
	60160L601		Cross size: 34.9 x 93.5
1	4180G6001	Housing	Cross size: 30.2 x 79.4
	4180H6001		Cross size: 30.2 x 91.4
	4180L6001		Cross size: 34.9 x 93.5
2	4210E0001	Pawl + Spring	42.5mm x 13mm x 4.9mm
3	408000047	Taper pin kit	1 3/8" Z6 - Z21
	408000046		1 3/4" Z6 - Z20
4	5150E0301	Hub with taper pin	1 3/8" Z6
	5150E3701		1 3/8" Z21
	5150E0401		1 3/4" Z6
	5150E3801		1 3/4" Z20
5	246000132	Seal plate	1 3/8" Z6 - Z21
	246000134	Two-piece seal plate	1 3/4" Z6 - Z20
6	338046000	Circlip	
7	359005900	Sealing ring	



OVERRUN CLUTCH: RL3

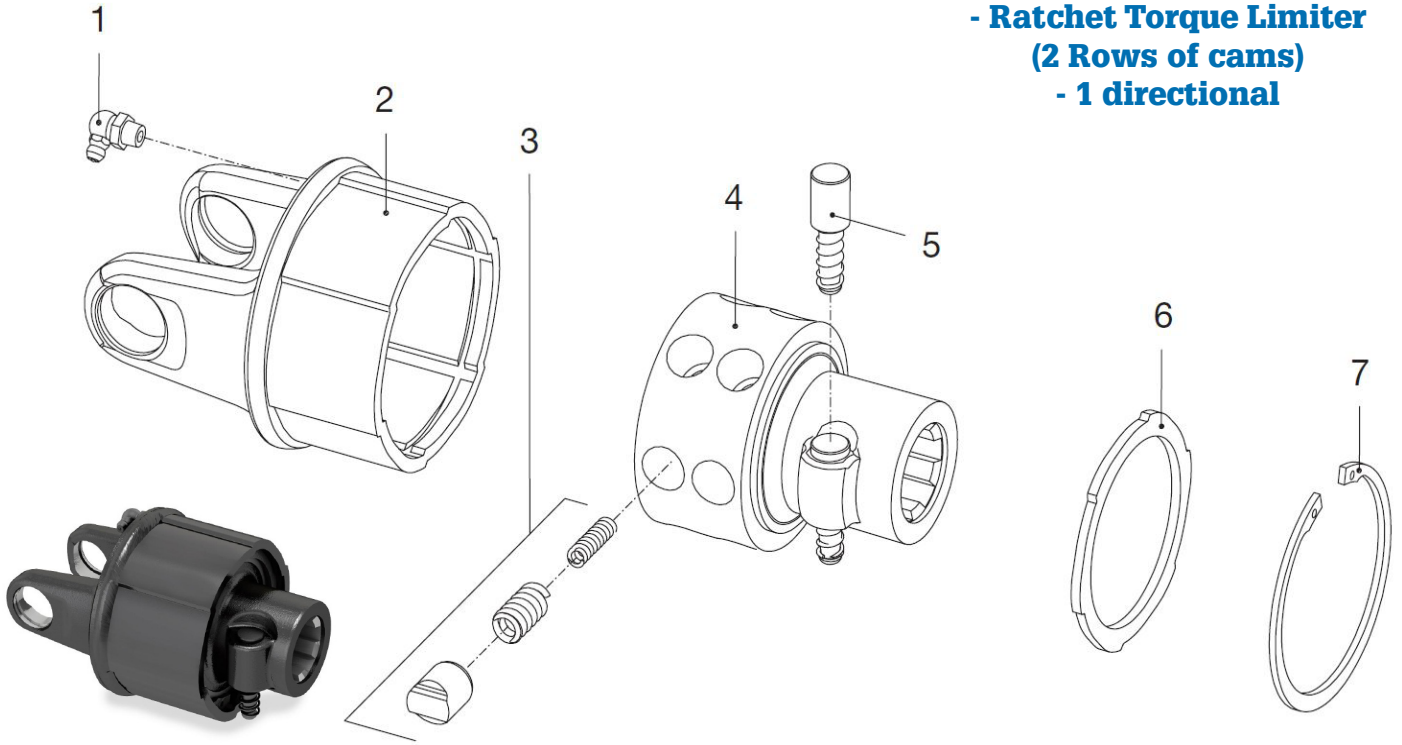
- Up To 6200NM
- Permanently Lubricated



REFERENCE	CODE	DESCRIPTION	NOTES
Complete Clutch	60170M501	1 3/8"Z6	Cross size: 34.9 x 106.0
1	4180L7001	Housing	Cross size: 34.9 x 93.5
	4180M7001		Cross size: 34.9 x 106.0
	4180N7001		Cross size: 42.0 x 107.5
	4180S7001		Cross size: 42.0 x 130.0
2	354110025	Ball bearing	6205 (25 x 52 x 15)
3	4210G0001R03	3 Piece Pawl + Spring	62.5mm x 13mm x 4.9mm
4	408000047	Taper pin kit	1 3/8" Z6 - Z21
	408000046		1 3/4" Z6 - Z20
5	5150G0306	Hub with taper pin	1 3/8" Z6
	5150G3706		1 3/8" Z21
	5150G0406		1 3/4" Z6
	5150G3806		1 3/4" Z20
	5150G0307		1 3/8" Z6
	5150G3707		1 3/8" Z21
	5150G0407		1 3/4" Z6
	5150G3807		1 3/4" Z20
6	246000132	Seal plate	1 3/8" Z6 - Z21
	246000134	Two-piece seal plate	1 3/4" Z6 - Z20
7	338046000	Circlip	
8	359005900	Sealing ring	

OVERLOAD RATCHET: SA2

- Ratchet Torque Limiter
 (2 Rows of cams)
 - 1 directional



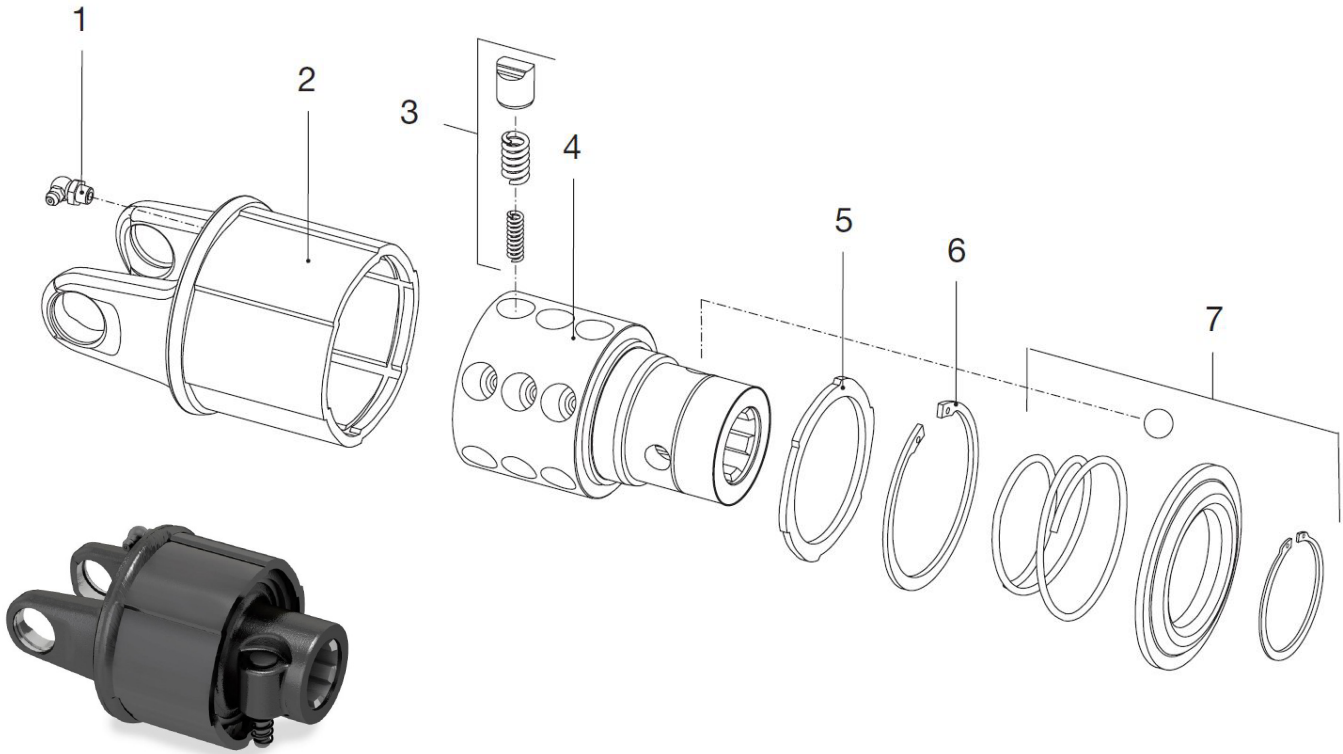
REFERENCE	CODE	DESCRIPTION	NOTES
1	34801400	Grease fitting	
2	422012020	Housing	Cross size: 22.0 x 54.0
	422022020		Cross size: 23.8 x 61.3
3	421340001	Ratchet + springs	
4	513350302	Hub	1 3/8" Z6
5	403000001	Push pin kit	
6	240000033	Seal plate	
7	338005000	Circlip	

Overload ratchet clutches can be serviced and tested at Farmgard



OVERLOAD RATCHET: SA3

- Ratchet Torque Limiter
(3 Rows of cams)
- 1 directional

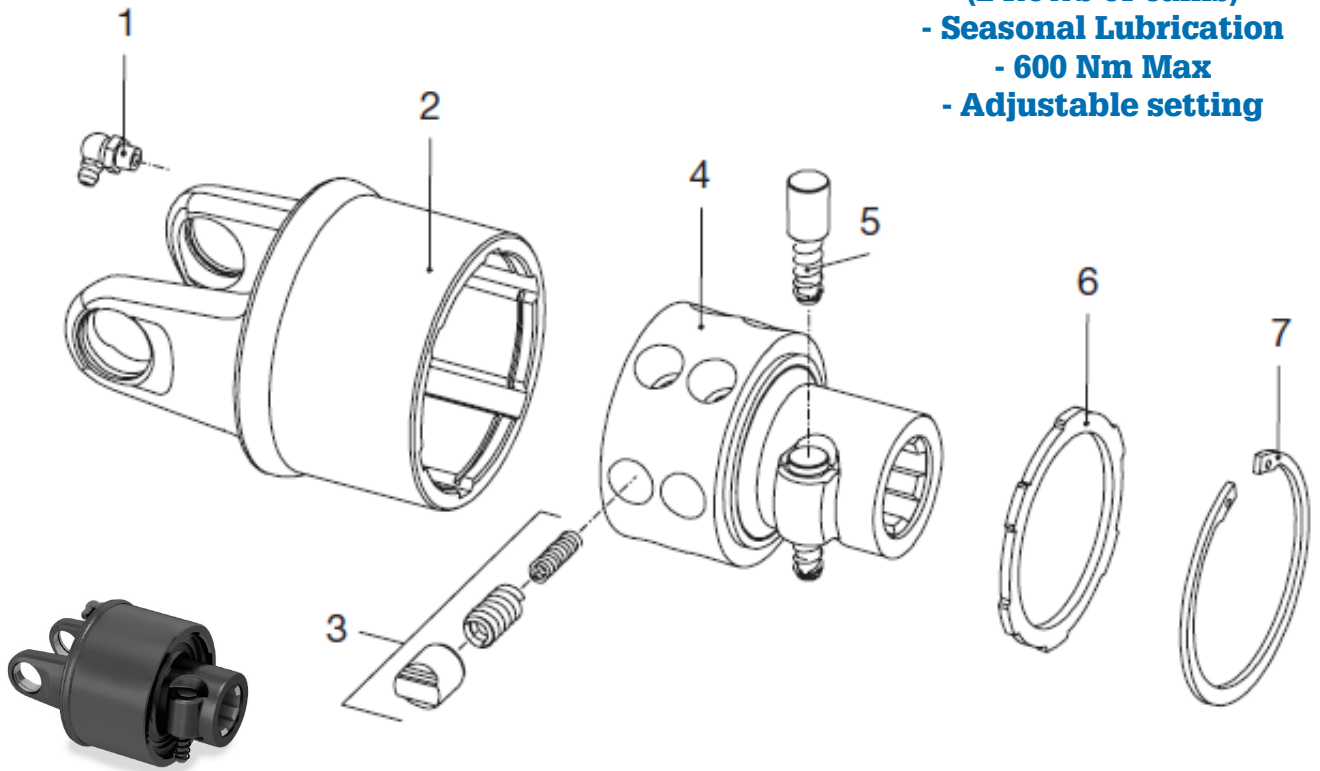


REFERENCE	CODE	DESCRIPTION	NOTES
1	348014000	Grease fitting	
2	422023020	Housing	Cross size: 23.8 x 61.3
	422043020		Cross size: 27.0 x 74.6
	422053020		Cross size: 30.2 x 79.4
3	421340001	Ratchet + springs	
4	2270Q0303	Hub	1 3/8" Z6
5	240000033	Seal plate	
6	338005000	Circlip	
7	435000321	Ball collar kit	

Overload ratchet clutches can be serviced and tested at Farmgard

OVERLOAD RATCHET: LN2

- Ratchet Torque Limiter (2 Rows of cams)
- Seasonal Lubrication - 600 Nm Max
- Adjustable setting

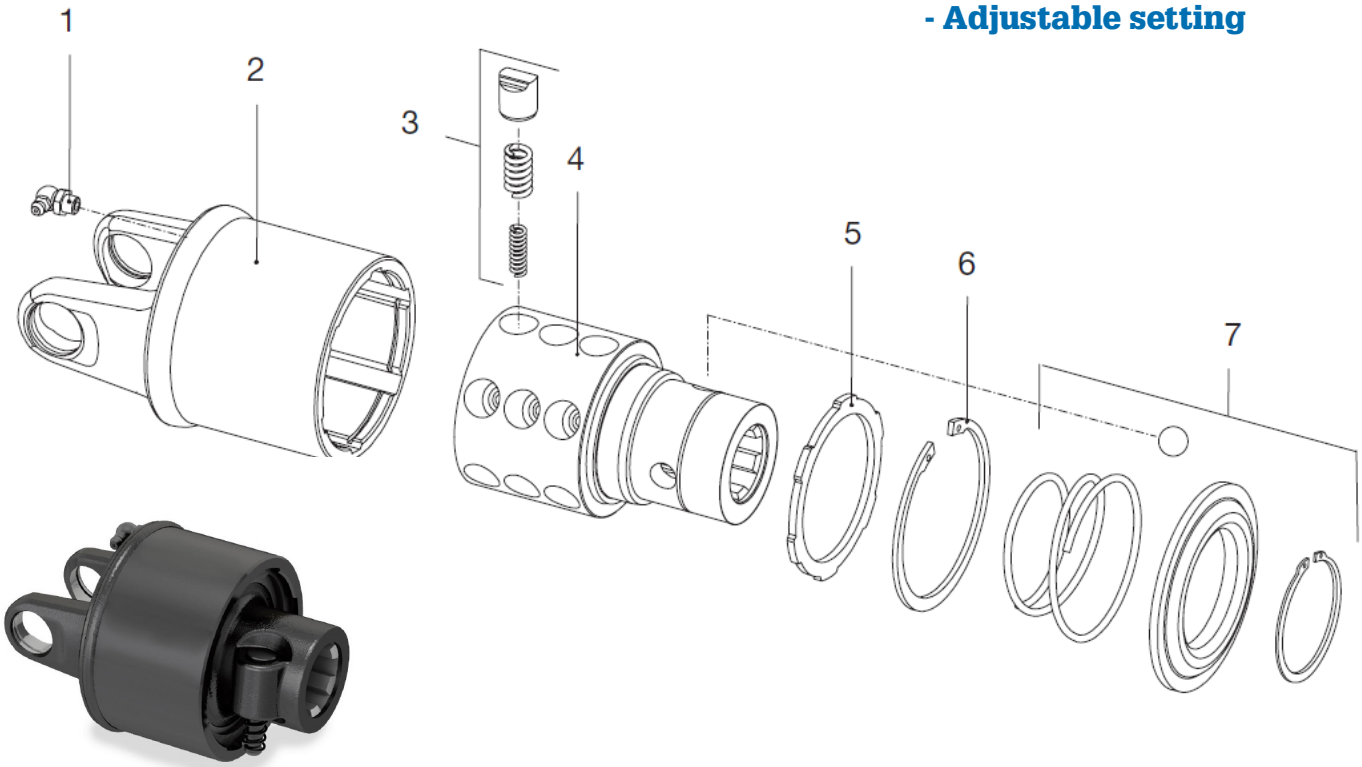


REFERENCE	CODE	DESCRIPTION	NOTES
Complete Clutch	60A2C3203	1 3/8" Z6	Cross size: 23.8 x 61.3
1	348014000	Grease fitting	
2	422B0T301	Housing	Cross size: 22.0 x 54.0
	422C0T301		Cross size: 23.8 x 61.3
3	421340007	Ratchet + springs	Sold in pack of 6
4	513350302	Hub with push pin	1 3/8" Z6
5	403000001	Push pin kit	
6	240000294	Seal plate	
7	338005000	Circlip	

Overload ratchet clutches can be serviced and tested at Farmgard

OVERLOAD RATCHET: LN3

- Ratchet Torque Limiter
(3 Rows of cams)
- Seasonal Lubrication
- 900 Nm Max
- Adjustable setting

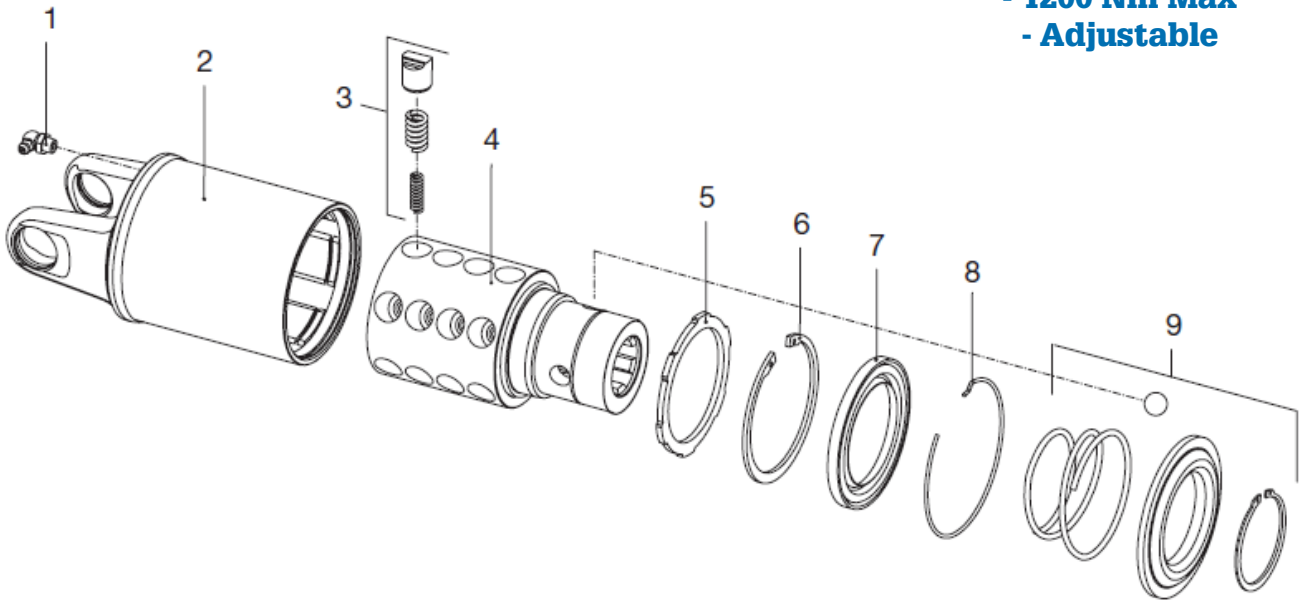


REFERENCE	CODE	DESCRIPTION	NOTES
Complete Clutch	60B3C4103	1 3/8" Z6	Cross size: 23.8 x 61.3
	60B3E4103	1 3/8" Z6	Cross Size: 27.0 x 74.6
1	348014000	Grease fitting	
2	422C0U301	Housing	Cross size: 23.8 x 61.3
3	421340007	Ratchet + springs	Sold in pack of 6
4	2270Q0303	Hub	1 3/8" Z6
5	240000294	Seal plate	
6	338005000	Circlip	

Overload ratchet clutches can be serviced and tested at Farmgard

OVERLOAD RATCHET: LT4

- Ratchet Torque Limiter
(4 Rows of cams)
- Seasonal Lubrication
- 1200 Nm Max
- Adjustable



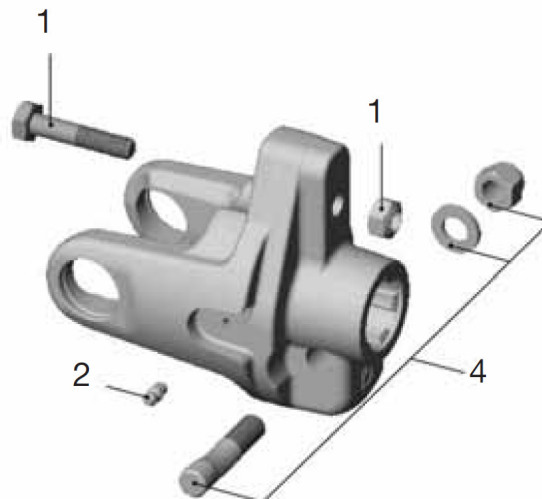
Overload ratchet clutches can be serviced and tested at Farmgard

REFERENCE	CODE	DESCRIPTION	NOTES
Complete Clutch	60F4E4803	1 3/8" Z6	Cross size: 27.0 x 74.6
1	348014000	Grease fitting	
2	422C0J301	Housing	Cross size: 23.8 x 61.3
	422E0J301		Cross size: 27.0 x 74.6
	422G0J301		Cross size: 30.2 x 79.4
3	421340007	Ratchet + springs	Sold in pack of 6
4	2270R0302	Hub	1 3/8" Z6
5	240000294	Seal plate	
6	338005000	Circlip	
7	359005901	Sealing ring	
8	339004090	Circlip	
9	435000321	Ball collar kit	

Please refer to Farmgard for complete clutch options



SHEARBOLT YOKE



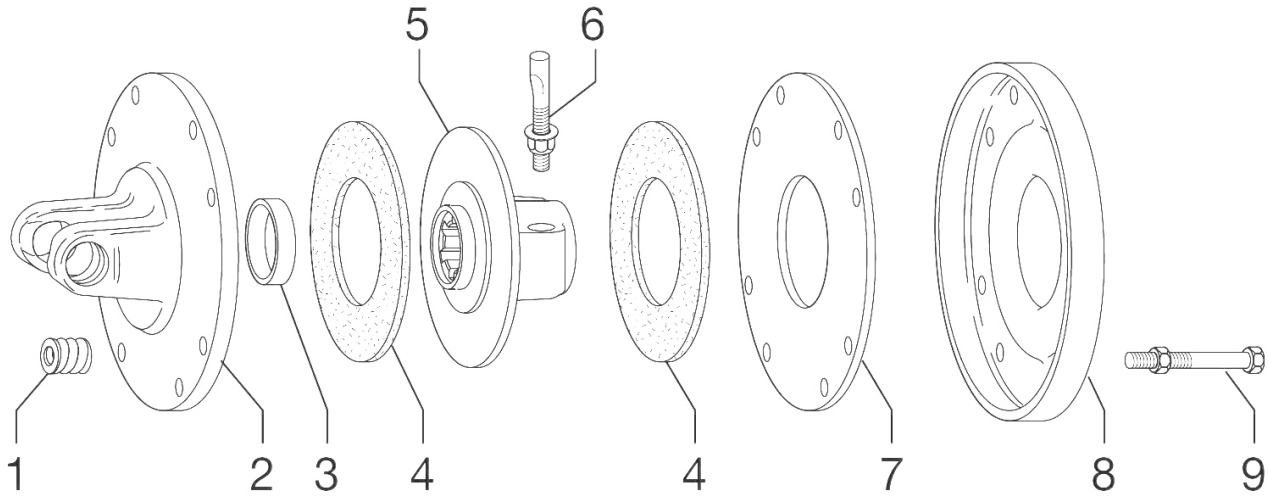
REFERENCE	CODE	DESCRIPTION	NOTES
Complete Clutch	6060H0302R	1 3/8" Z6 *	Cross size: 30.2 x 91.5
	6060L0403R		Cross size: 34.9 x 93.5
	6060M0302R		Cross size: 34.9 x 106.0
	6060H0404R	1 3/4" Z6 *	Cross size: 30.2 x 91.5
	6060L0404R		Cross size: 34.9 x 93.5
	6060M0403R		Cross size: 34.9 x 106.0
	606010002R		Cross size: 41.0 x 118.0
	6060N0407R	Cross size: 42.0 x 107.5	
	6060L3807R	1 3/4" Z20 *	Cross size: 34.9 x 93.5
	6060M3809		Cross size: 34.9 x 106.0
	606010019R		Cross size: 41.0 x 118.0
	1	432000002	Shearbolt
432000003		M8x45 Cl. 8.8	
432000054		M10x55 Cl. 8.8	
432000124		M12x55 Cl. 8.8	
432000011		M12x65 Cl. 8.8	
432000055		M14x70 Cl. 8.8	
2	348017000	Grease fitting	
4	408000048	Taper pin	1 3/8" Z6 - Z21
	408000052		1 3/4" Z6 - Z20

***Other splines are available.**

FRICITION CLUTCH: FF1 & FF2

FF1 = 2 Discs, 180mm Diameter, 140 x 85 Disc size

FF2 = 2 Discs, 200mm Diameter, 160 x 97 Disc size



	FF1 (180MM)	FF2 (200MM)	DESCRIPTION	NOTES
1	351013370		Spring	Ø 7mm
2	253032001	-	Flange yoke	Cross size: 27.0 x 70.0
	253042001	-		Cross size: 27.0 x 74.6
	253052001	253052101		Cross size: 30.2 x 79.4
	253062203	253062302		Cross size: 30.2 x 91.4
	-	253172302		Cross size: 35.0 x 93.5
	-	253082302		Cross size: 35.0 x 106.0
3	258005320		Bush	
4	247000054	-	Friction disk	140mm x 85mm
		247000061		160mm x 97mm
5	515200311	515210311	Hub with taper pin	1 3/8" Z6
	515203711	515213711		1 3/8" Z21
	-	515210411		1 3/4" Z6
	-	515213811		1 3/4" Z20
6	408000060	408000060	Taper pin kit	1 3/8"
	-	408000061		1 3/4"
7	248220008	248230002	Drive plate	
8	248220007	248230006	Thrust flange	
9	432000006		Bolt	

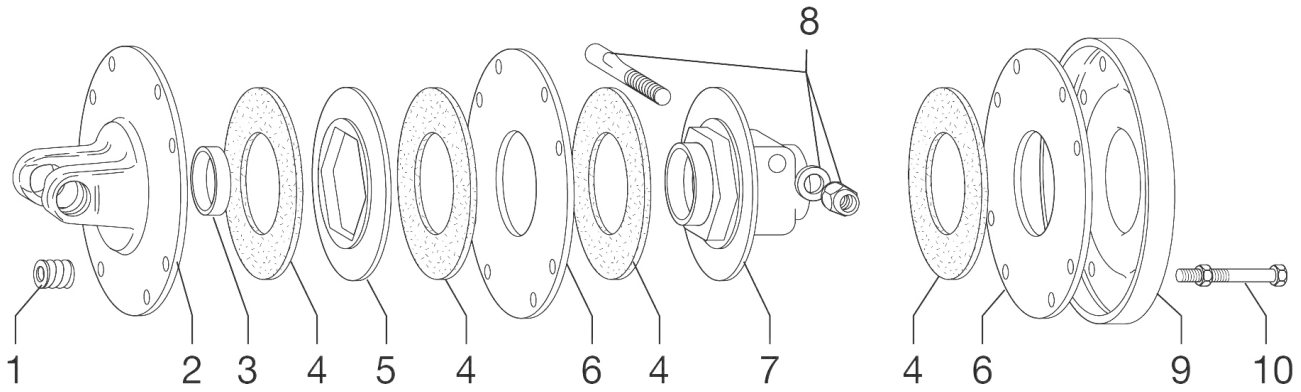
FF1 & 2 are out of production and only available as spare parts



FRICITION CLUTCH: FF3 & FF4

FF3 = 4 Discs, 180mm Diameter, 140 x 85 Disc size

FF4 = 4 Discs, 200mm Diameter, 160 x 97 Disc size

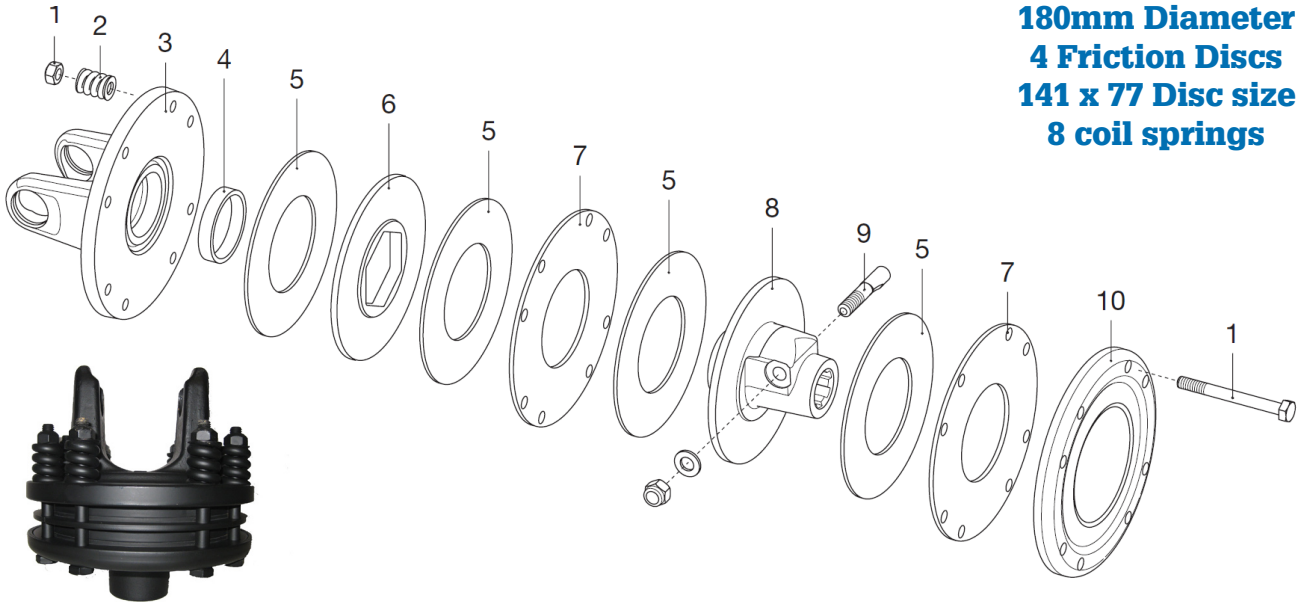


	FF3 (180MM)	FF4 (200MM)	DESCRIPTION	NOTES
1	351013370		Spring	Ø 7mm
2	253052001	-	Flange yoke	Cross size: 30.2 x 79.4
	253062203	253062302		Cross size: 30.2 x 91.4
	253172201	253172302		Cross size: 35.0 x 93.5
	253082201	253082302		Cross size: 35.0 x 106.0
	-	253192301		Cross size: 41.0 x 108.0
	-	253102301		Cross size: 41.0 x 118.0
3	258005320		Bush	
4	247000054	-	Friction disk	140mm x 85mm
	-	247000061		160mm x 97mm
5	248220001	275230004	Drive plate	
6	248220008	248230002	Inner plate	
7	515200311	515230311	Hub with taper pin	1 3/8" Z6
	515223711	515233711		1 3/8" Z21
	515220411	515230411		1 3/4" Z6
	515223811	515233811		1 3/4" Z20
8	408000060		Taper pin kit	1 3/8"
	408000061			1 3/4"
9	248220007	248230006	Thrust flange	
10	432000007		Bolt	

FF3 & 4 are out of production and only available as spare parts

FRICITION CLUTCH: FFV34

**180mm Diameter
4 Friction Discs
141 x 77 Disc size
8 coil springs**



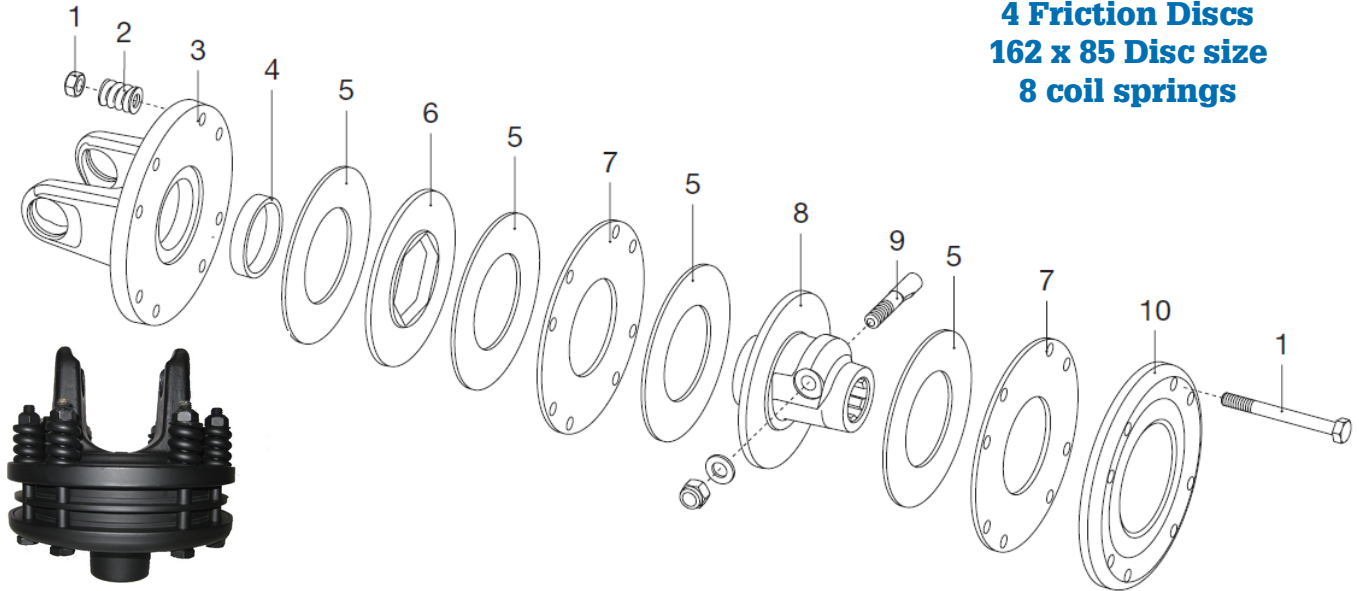
REFERENCE	CODE	DESCRIPTION	NOTES
Complete Clutch	635H53303	Complete Clutch *	Cross size: 30.2 x 91.4
1	432000007	Bolt and nut	M10 x 100 mm
2	351022370	Coil spring	T = 6 mm
3	2530E1C05	Flange yoke	Cross size: 27.0 x 74.6
	2530G1C05		Cross size: 30.2 x 79.4
	2530H1C05		Cross size: 30.2 x 91.4
	2530L1C05		Cross size: 34.9 x 93.5
	2530M1C05		Cross size: 34.9 x 106.0
4	258005320	Bushing	
5	247006251	Friction disc	D = 141 ; d = 77 mm
6	248727702	Drive plate	
7	2481C0007	Inner plate	T = 4 mm
8	515890305	Hub with taper pin	1 3/8" Z6
	515893705		1 3/8" Z21
	515890405		1 3/4" Z6
	515893805		1 3/4" Z20
9	408000047	Taper pin	1 3/8" Z6 - Z21
	408000049		1 3/4" Z6 - Z20
10	248220007	Pressure plate	

*** Refer to Farmgard for complete clutch options**



FRICTION CLUTCH: FFV44

202mm Diameter
4 Friction Discs
162 x 85 Disc size
8 coil springs

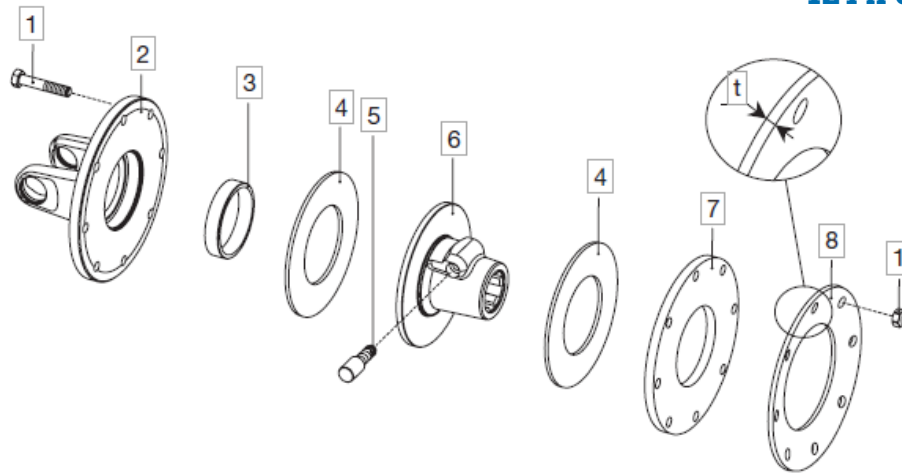


REFERENCE	CODE	DESCRIPTION	NOTES
Complete Clutch	635M60504	Complete Clutch *	Cross size: 34.9 x 106.0
1	432000122	Bolt and nut	M10 x 105 mm
2	351013370	Coil spring	T = 7 mm
3	2530L1E05	Flange yoke	Cross size: 34.9 x 93.5
	2530M1E05		Cross size: 34.9 x 106.0
	2530N1E05		Cross size: 42.0 x 107.5
	2530S1E05		Cross size: 42.0 x 130.0
4	258005320	Bushing	
5	247006351	Friction disc	D = 162 ; d = 85 mm
6	248737702	Drive plate	
7	2481E0007	Inner plate	T = 4 mm
8	515900305	Hub with taper pin	1 3/8" Z6
	515903705		1 3/8" Z21
	515900405		1 3/4" Z6
	515903805		1 3/4" Z20
9	408000047	Taper pin	1 3/8" Z6 - Z21
	408000046		1 3/4" Z6 - Z20
10	248230006	Pressure plate	

*** Refer to Farmgard for complete clutch options**

FRICION CLUTCH: FV22

155mm Diameter
2 Friction Discs
124 x 67 Disc size



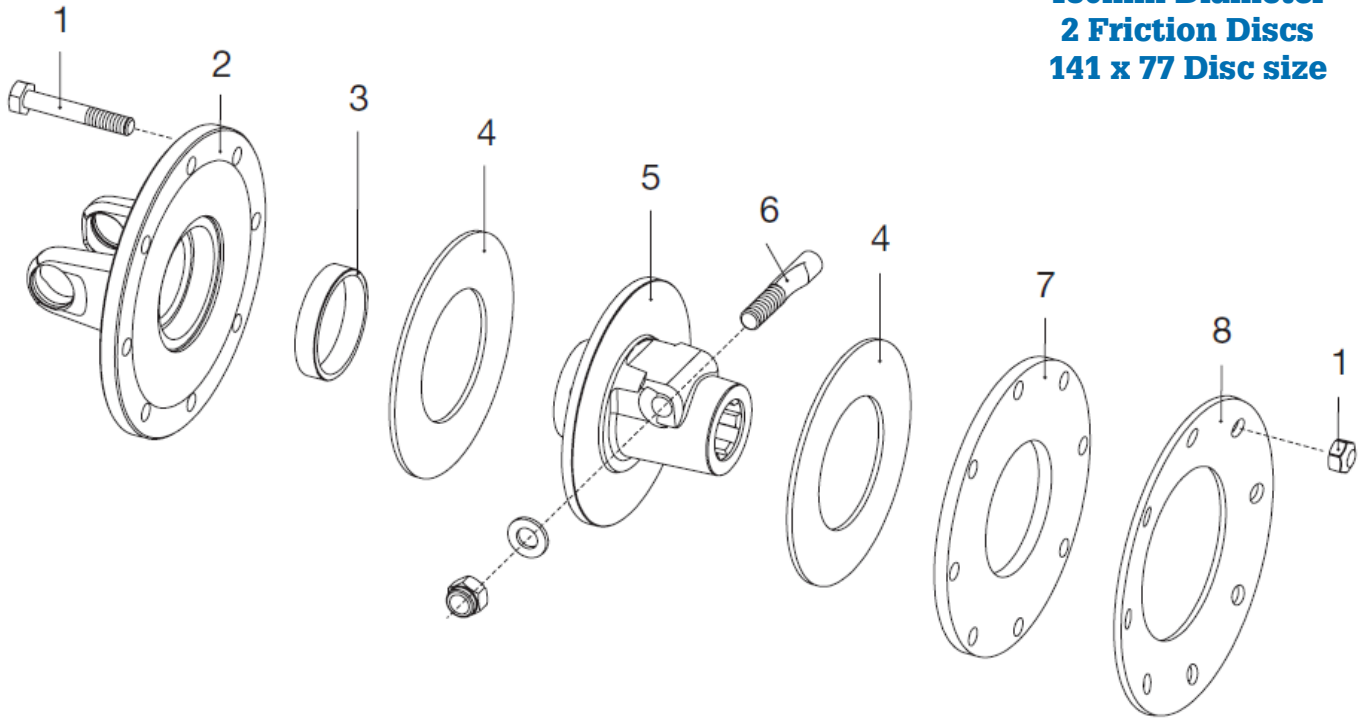
REFERENCE	CODE	DESCRIPTION	NOTES
1	432000003	Bolt and nut	M8 x 50
2	2530B8503R	Flange Yoke	Cross size = 22 x 54
	2530C8503R		Cross size = 23.8 x 61.3
3	258005320	Bush	
4	247006151	Friction lining	124 x 67
5	403000001	Push Pin	
6	513850307R	Hub	1 3/8" Z6
	515853707		1 3/8" Z21
7	2481A0001	Plate	4mm
8	367005850	Belleville Spring	3.75mm

***Refer to Farmgard for complete clutch options**



FRICITION CLUTCH: FV32

180mm Diameter
2 Friction Discs
141 x 77 Disc size

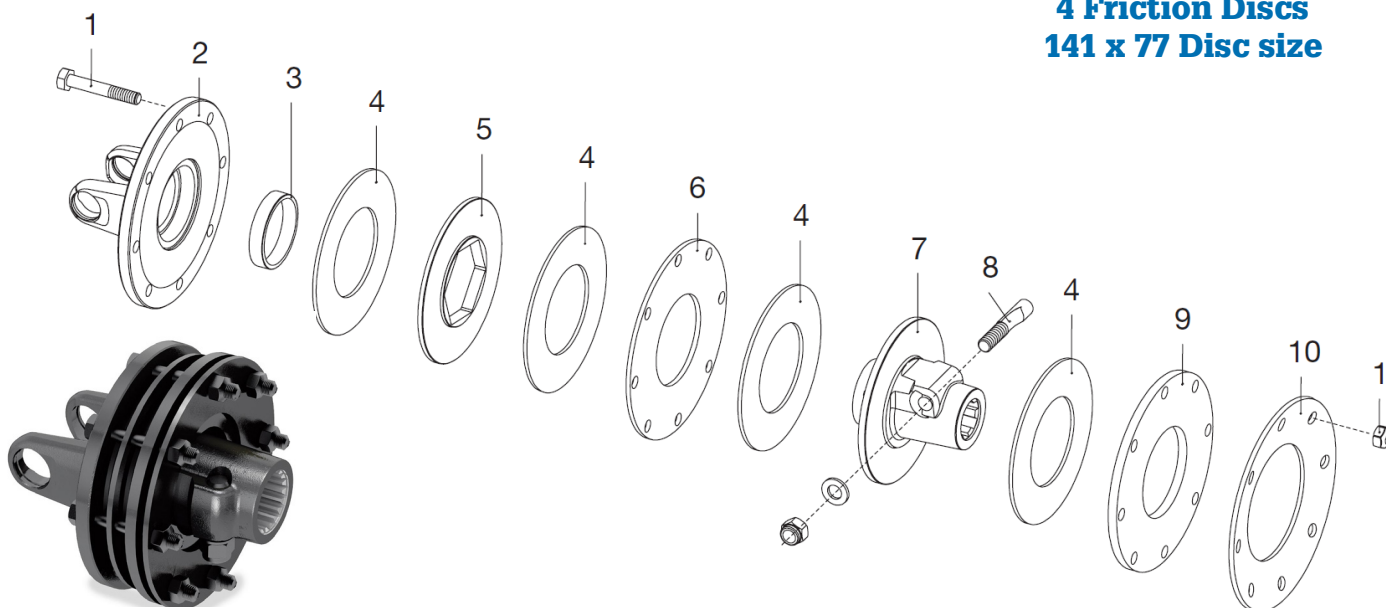


REFERENCE	CODE	DESCRIPTION	NOTES
Complete Clutch	661G44203	1 3/8" Z6	Cross size: 30.2 x 79.4
1	432000054	Bolt and nut	M10 x 55 mm
2	253048602	Flange yoke	Cross size: 27.0 x 74.6
	253058901		Cross size: 30.2 x 79.4
3	258005320	Bushing	
4	247006251	Friction disc	D = 141 ; d = 77 mm
5	515860305	Hub with taper pin	1 3/8" Z6
	515863705		1 3/8" Z21
6	408000047	Taper pin	1 3/8" Z6 - Z21
7	248860007	Inner plate	T = 8 mm
8	367008860	Belleville spring	T = 3.75 mm

Refer to Farmgard for complete clutch options

FRICION CLUTCH: FV34

**180mm Diameter
4 Friction Discs
141 x 77 Disc size**



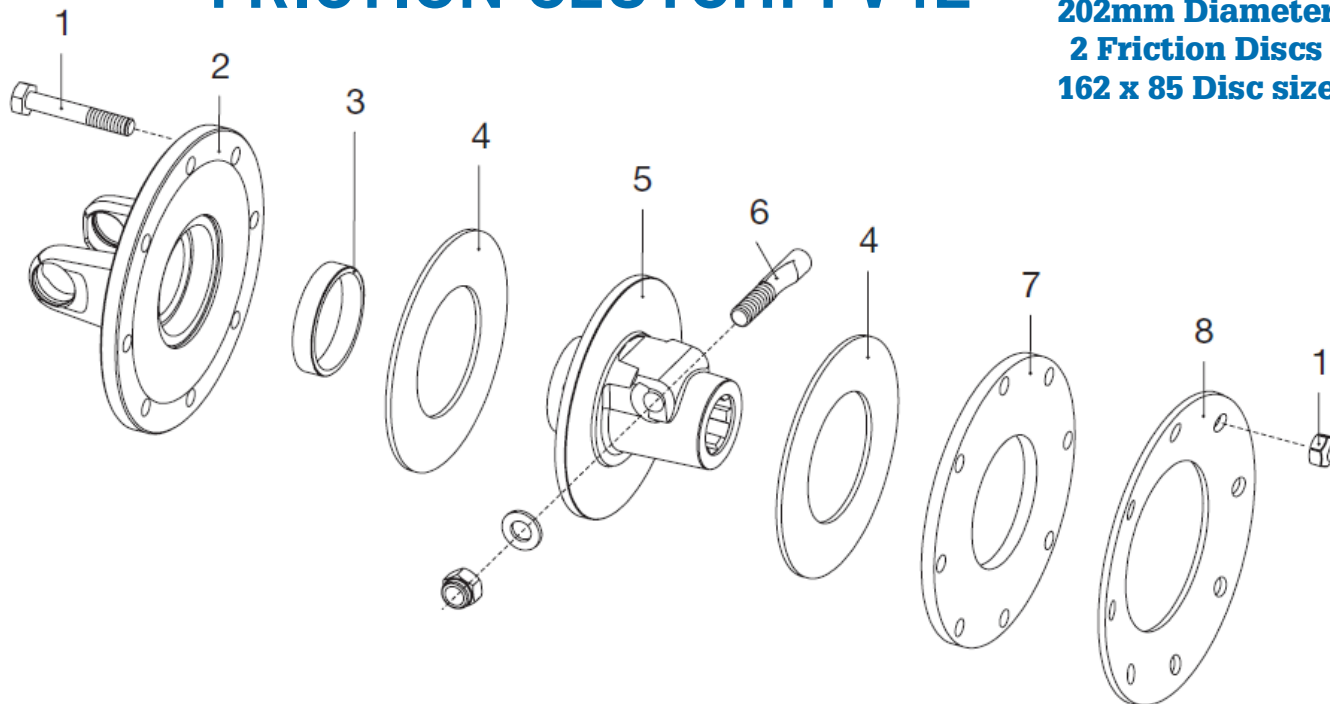
REFERENCE	CODE	DESCRIPTION	NOTES
Complete Clutch	661M58304	Complete Clutch	Cross size: 34.9 x 106.0
1	432000114	Bolt and nut	M10 x 75 mm
2	253048602	Flange yoke	Cross size: 27.0 x 74.6
	253058901		Cross size: 30.2 x 79.4
	253068903		Cross size: 30.2 x 91.4
	253078601		Cross size: 34.9 x 93.5
	253088903		Cross size: 34.9 x 106.0
3	258005320	Bushing	
4	247006251	Friction disc	D = 141 ; d = 77 mm
5	248727702	Drive plate	
6	248860001	Inner plate	Sp. = 4 mm
7	515890305	Hub with taper pin	1 3/8" Z6
	515893705		1 3/8" Z21
	515890405		1 3/4" Z6
	515893805		1 3/4" Z20
8	408000047	Taper pin	1 3/8" Z6 - Z21
	408000049		1 3/4" Z6 - Z20
9	248860007	Inner plate	T = 8 mm
10	367008860	Belleville spring	T = 3.75 mm

Refer to Farmgard for complete clutch options



FRICTION CLUTCH: FV42

202mm Diameter
2 Friction Discs
162 x 85 Disc size

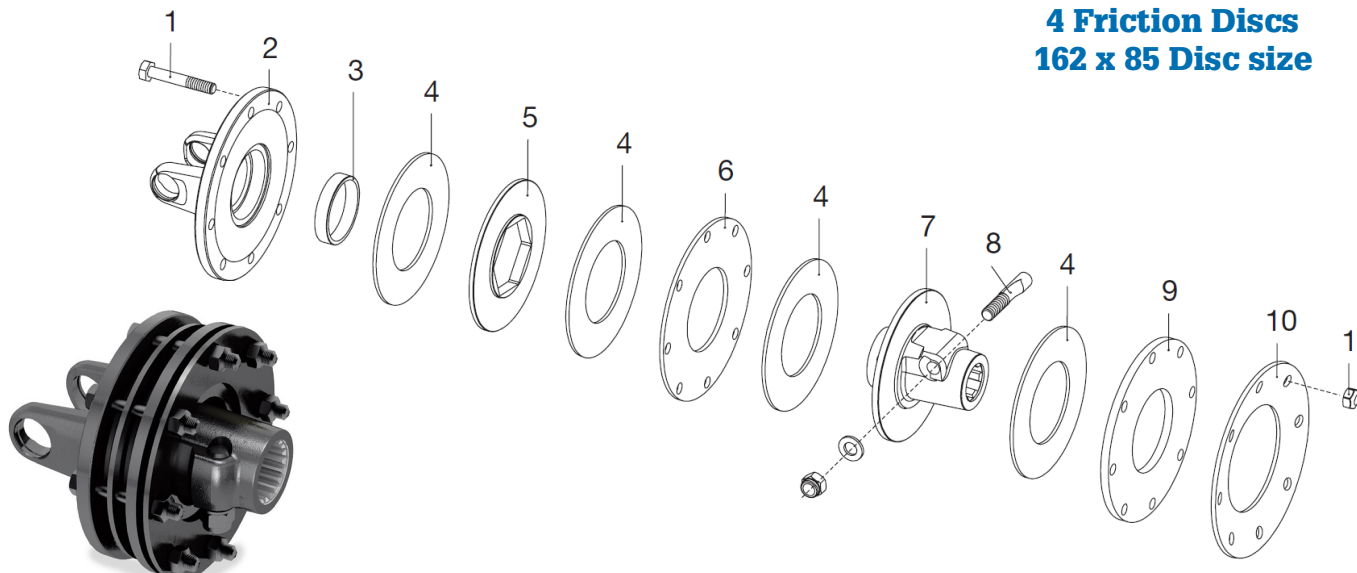


REFERENCE	CODE	DESCRIPTION	NOTES
Complete Clutch	661L53403	1 3/4" Z6	Cross size: 34.9 x 93.5
1	432000008	Bolt and nut	M10 x 60 mm
2	2530D8701	Flange yoke	Cross size: 27.0 x 74.6
	253058701		Cross size: 30.2 x 79.4
	253069001		Cross size: 30.2 x 91.4
	253078702		Cross size: 34.9 x 93.5
3	258005320	Bushing	
4	247006351	Friction disc	D = 162 ; d = 85 mm
5	515870305	Hub with taper pin	1 3/8" Z6
	515873705		1 3/8" Z21
	515870405		1 3/4" Z6
	515873805		1 3/4" Z20
6	408000047	Taper pin	1 3/8" Z6 - Z21
	408000046		1 3/4" Z6 - Z20
7	248870007	Inner plate	T = 8 mm
8	367009870	Belleville spring	T = 4.25 mm

Refer to Farmgard for complete clutch options

FRICION CLUTCH: FV44

**202mm Diameter
4 Friction Discs
162 x 85 Disc size**

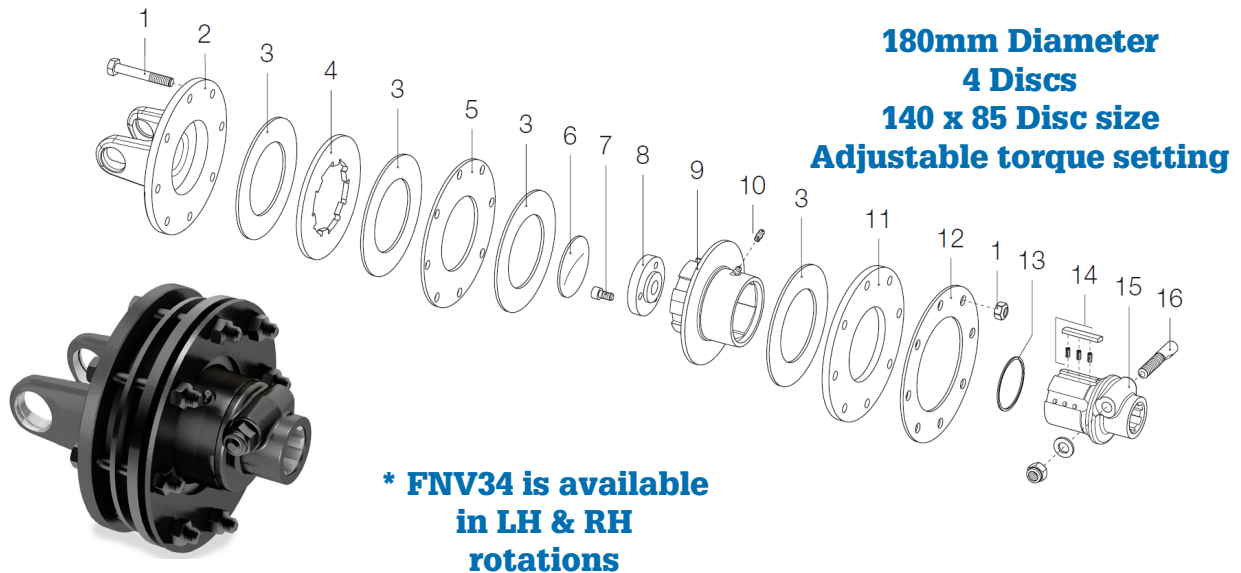


REFERENCE	CODE	DESCRIPTION	NOTES
Complete Clutch	661N62538	Complete Clutch	Cross size: 42.0 x 107.5
1	432000114	Bolt and nut	M10 x 75 mm
2	253078702	Flange yoke	Cross size: 34.9 x 93.5
	253089001		Cross size: 34.9 x 106.0
	253108705		Cross size: 41.0 x 118.0
	2530N9001		Cross size: 42.0 x 107.5
	2530S1F01		Cross size: 42.0 x 130.0
3	258005320	Bushing	
4	247006351	Friction disc	D = 162 ; d = 85 mm
5	248737702	Drive plate	
6	248870011	Inner plate	T = 4 mm
7	515900305	Hub with taper pin	1 3/8" Z6
	515903705		1 3/8" Z21
	515900405		1 3/4" Z6
	515903805		1 3/4" Z20
8	408000047	Taper pin	1 3/8" Z6 - Z21
	408000046		1 3/4" Z6 - Z20
9	248870007	Inner plate	T = 8 mm
10	367009870	Belleville spring	T = 4.25 mm

Refer to Farmgard for complete clutch options



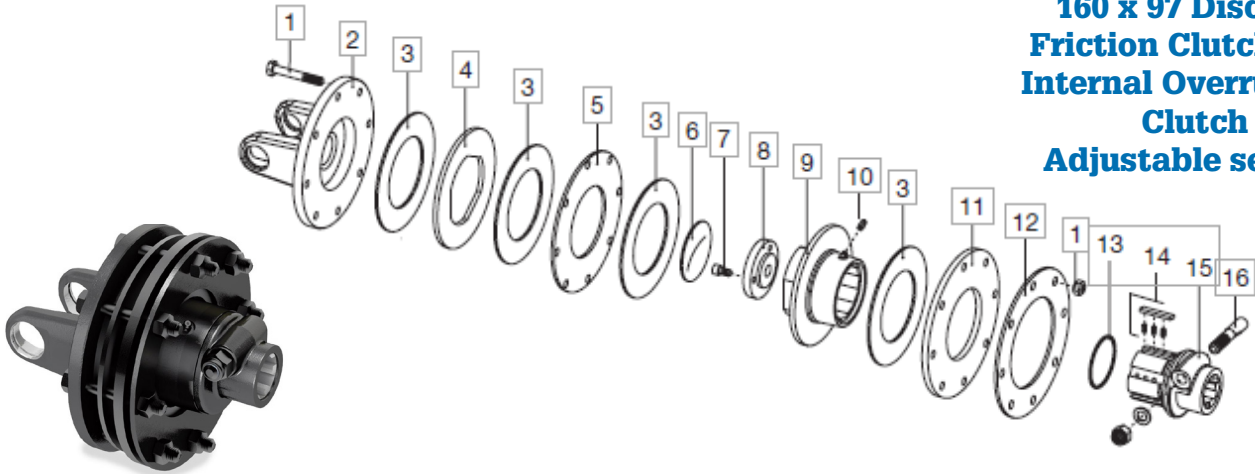
FRICION & OVERRUN CLUTCH: FNV34



REFERENCE	CODE	DESCRIPTION	NOTES
Complete Clutch	665G53103R	Complete Clutch	Cross size: 30.2 x 79.4
	665H53103R	Complete Clutch	Cross size: 30.2 x 91.5
1	432000114	Bolt	M 10 x 75 mm
2	2530G1L01	Flange yoke	Cross size: 30.2 x 79.4
	2530H1L01		Cross size: 30.2 x 91.4
	2530L1L01		Cross size: 34.9 x 93.5
	2530M1L01		Cross size: 34.9 x 106.0
3	247000054	Friction lining	D = 140 ; d = 85 mm
4	2481L0003	Driving plate	
5	2481L0001	Inner plate	T = 4 mm
6	240000737	Locking plate	
7	303008001	Screw	M8 x 16
8	240000736	Clutch plug	
9	4271L0101	Overrun housing	
10	348017000	Grease fitting	
11	2481L0005	Pressure plate	T = 8 mm
12	367008860	Belleville spring	1200 Nm
13	339002060	Snap ring	
14	4211L0001	Pawl + springs kit	
15	5151L0301	Hub with taper pin	1 3/8" Z6
	5151L3701		1 3/8" Z21
16	408000047	Taper pin	1 3/8" Z6 - Z21

FRICION OVERRUN: FNV44

**202mm Diameter
4 Discs
160 x 97 Disc size
Friction Clutch With
Internal Overrunning
Clutch
Adjustable setting**

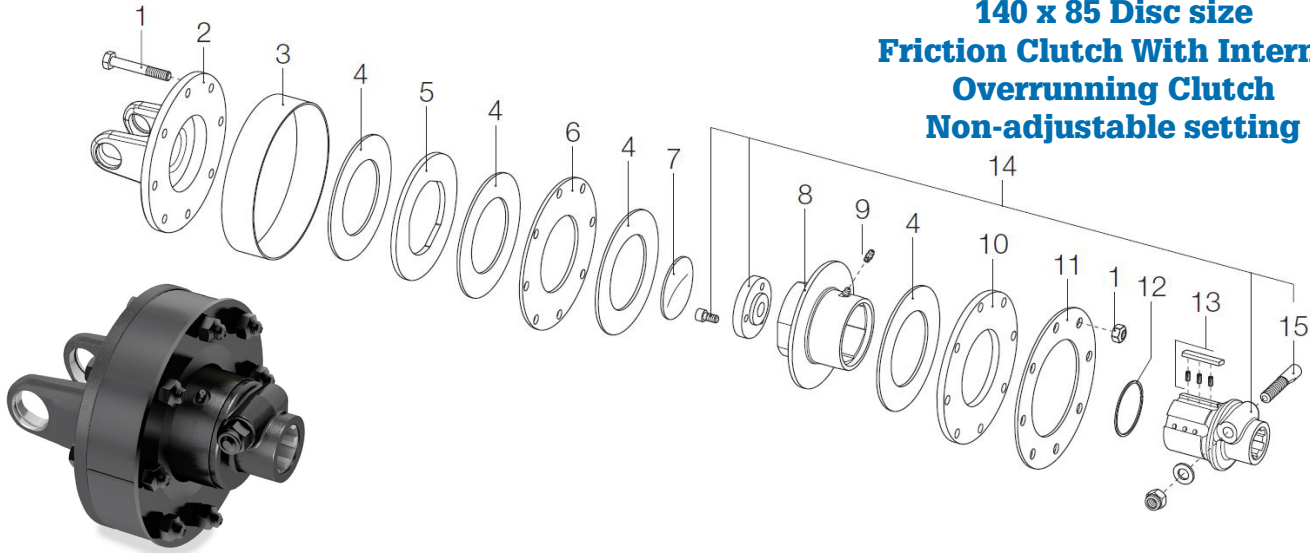


REFERENCE	CODE	DESCRIPTION	NOTES
1	432000114	Bolt and nut	M10X75
2	2530L1M01R	Flange Yoke	Cross size: 35 X 93.5
	2530L1M01R		Cross size: 35.0X 106.0
	2530M1M01R		Cross size: 42 X 107.5
	2530N1M01R		Cross size: 42 X 130.0
3	247000061	Friction Lining	160mm X 97mm
4	2481M0001	Drive Plate	
5	2481M0002	Inner Plate	4mm
6	240000748R05	Locking Plate	
7	4271M0101R	Clutch Housing	
8	348017000	Grease Nipple	
9	2481H0004R	Pressure Plate	8mm
10	367009870	Belleville Spring	
11	339002068	Circlip	
12	4211L0001	Pawl & Springs Kit	
13	5151M0351R	Hub with taper pin	1 3/8" Z6
	5151M3751R		1 3/8" Z21
	5151M0451R		1 3/4" Z6
	5151M3851R		1 3/4" Z20
14	408000047	Taper pin	1 3/8" Z6 - Z21
	408000046		1 3/4" Z6 - Z20



FRICION & OVERRUN CLUTCH: FNT34

180mm Diameter 4 Discs
140 x 85 Disc size
Friction Clutch With Internal
OVERRUNNING CLUTCH
Non-adjustable setting



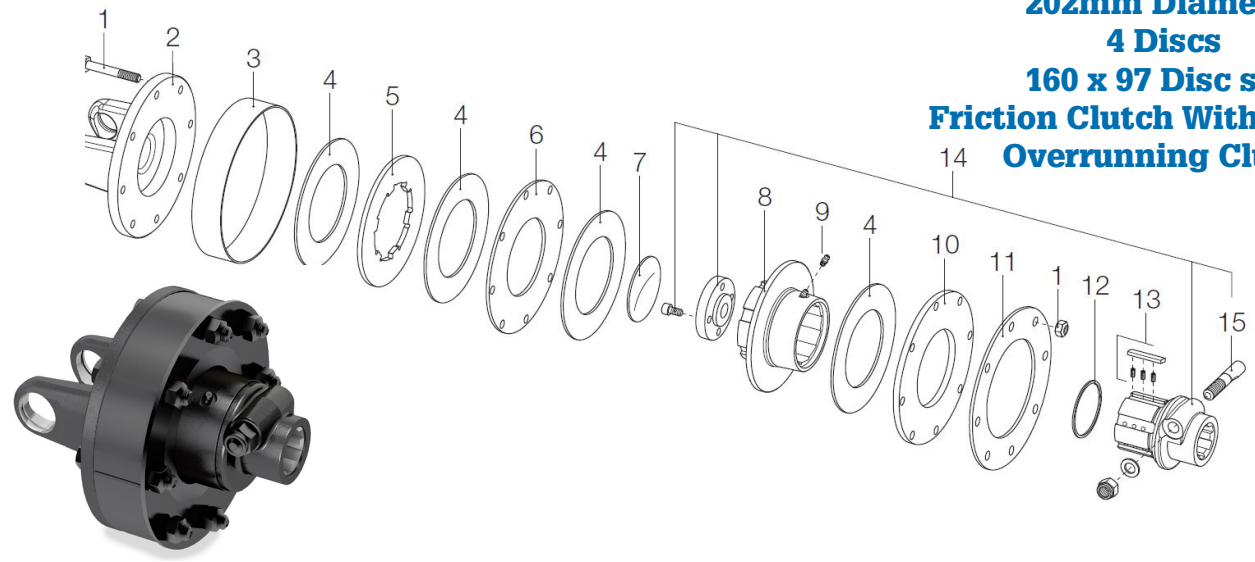
REFERENCE	CODE	DESCRIPTION	NOTES
Complete Clutch	658G48103		1 3/8" Z6
	658H53103		1 3/8" Z6
1	432000100	Bolt	M10 x 65mm
2	2530G1L01	Flange yoke	Cross size: 30.2 x 79.4
	2350H1L01		Cross size: 30.2 x 91.4
	2530L1L01		Cross size: 35.0 x 93.5
	2530M1L01		Cross size: 35.0 x 106.0
3	240000218	Adjustment band	
4	247000054	Friction disc	140mm x 85mm
5	2481L0003	Driving plate	
6	2481L0001	Inner plate	4mm
7	240000746	Locking plate	
8	4271L0101	Housing	
9	348017000	Grease fitting	
10	2481L0002	Pressure plate	8mm
11	367FT340A	Spring	1200Nm
	367FT340C		1450Nm
	367FT340D		1800Nm
12	339002060	Snap ring	
13	4211L0001	Pawl and springs	
14	5151L0351	Hub with taper pin	1 3/8" Z6
	5151L3751		1 3/8" Z21
15	408000047	Taper pin	

FRICION & OVERRUN CLUTCH: FNT44

CLUTCHES

FRICION & OVERRUN CLUTCH: FNT44

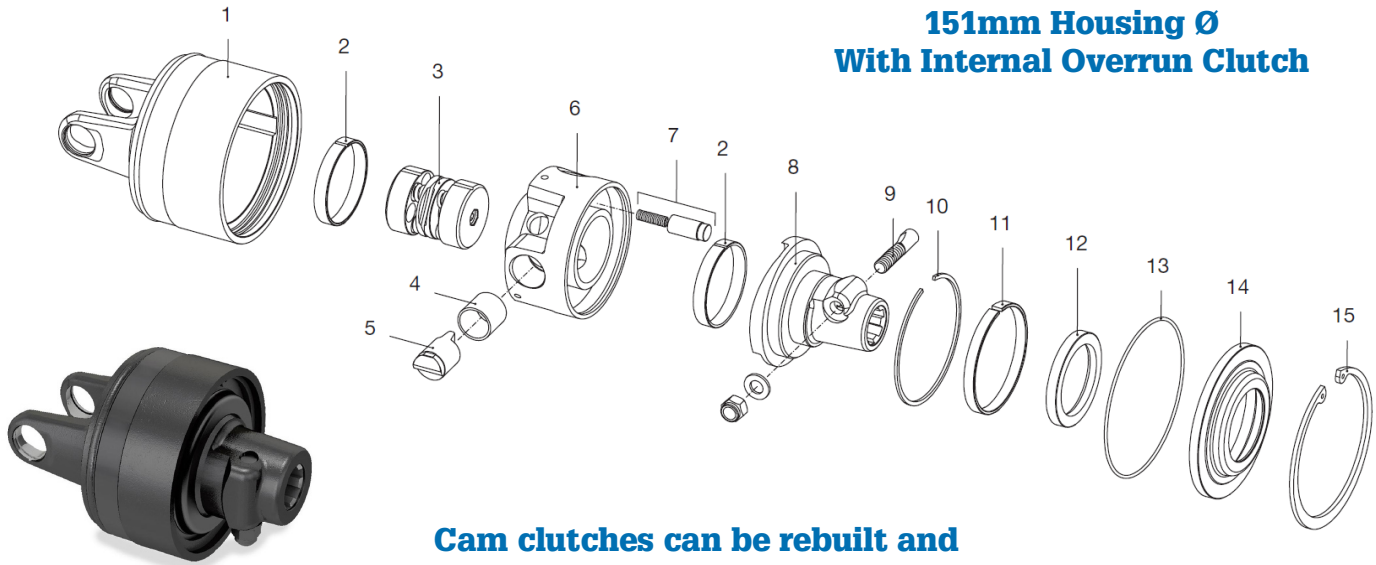
**202mm Diameter
4 Discs
160 x 97 Disc size
Friction Clutch With Internal
Overrunning Clutch**



REFERENCE	CODE	DESCRIPTION	NOTES
1	432000100	Bolt	M10 x 70mm
2	2530L1M01	Flange yoke	Cross size: 35.0 x 93.5
	2350M1M01		Cross size: 35.0 x 106.0
3	240000219	Adjustment band	
4	247000061	Friction disc	160mm x 97mm
5	2481M0001	Driving plate	
6	2481M0002	Inner plate	4mm
7	240000748	Locking plate	
8	4271M0101	Housing	
9	348017000	Grease fitting	
10	2481H0003	Pressure plate	8mm
11	367FT440A	Spring	
	367FT440C		
12	339002060	Snap ring	
13	4211L0001	Pawl and springs	
14	5151M0351	Hub with taper pin	1 3/8" Z6
	5151M3751		1 3/8" Z21
	5151M0451		1 3/4" Z6
	5151M3851		1 3/4" Z20
15	408000047	Taper pin	1 3/8" Z6 - Z21
	408000046		1 3/2" Z6 - Z20

CAM & OVERRUN CLUTCH: LR23-OR

Automatic Torque Limiter
3 Cams
151mm Housing Ø
With Internal Overrun Clutch



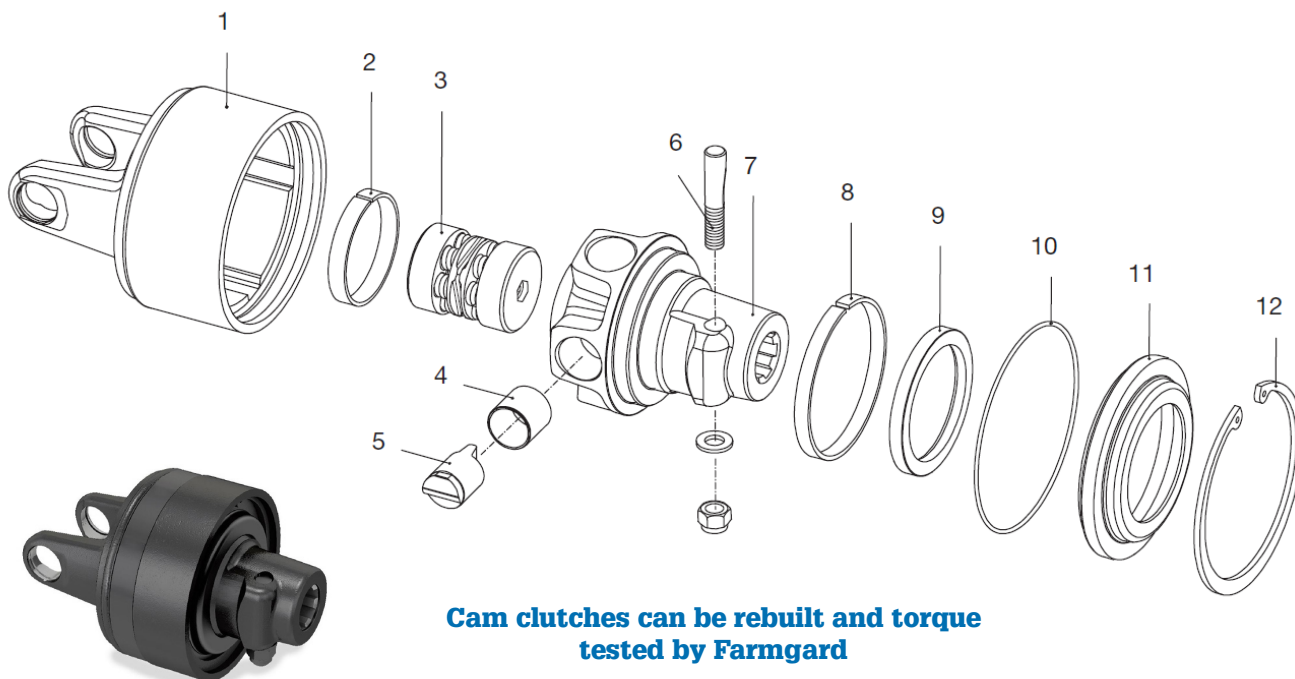
Cam clutches can be rebuilt and torque tested by Farmgard

REFERENCE	CODE	DESCRIPTION	NOTES
1	4310E8151	Housing	Cross size: 27.0 x 74.6
	4310G1152		Cross size: 30.2 x 79.4
	4310G1152		Cross size: 30.2 x 79.4
	431061106		Cross size: 30.2 x 91.4
2	240000205	Bushing	
3	421154801	Spring kit *	1200 Nm
	421155401		1500 Nm
	421155701		1700 Nm
	421155901		1900 Nm
	421156101		2100 Nm
4	258000100	Sleeve	
5	250000101	Cam	
6	234150003	Hub + Housing	
7	421004601	Ratchet + spring	
8	515150303	Hub with taper pin	1 3/8" Z6
	515153703		1 3/8" Z21
9	408000048	Taper pin	1 3/8" Z6 - Z21
10	339115000	Circlip	
11	240000207	Bushing	
12	355008065	Sealing ring	
13	358000006	O-ring	
14	240000206	Cover ring	
15	338000138	Circlip	

***Enquire about other NM settings not listed**

CAM CLUTCH: LR23

Automatic Torque Limiter
3 Cams
151mm Housing Ø

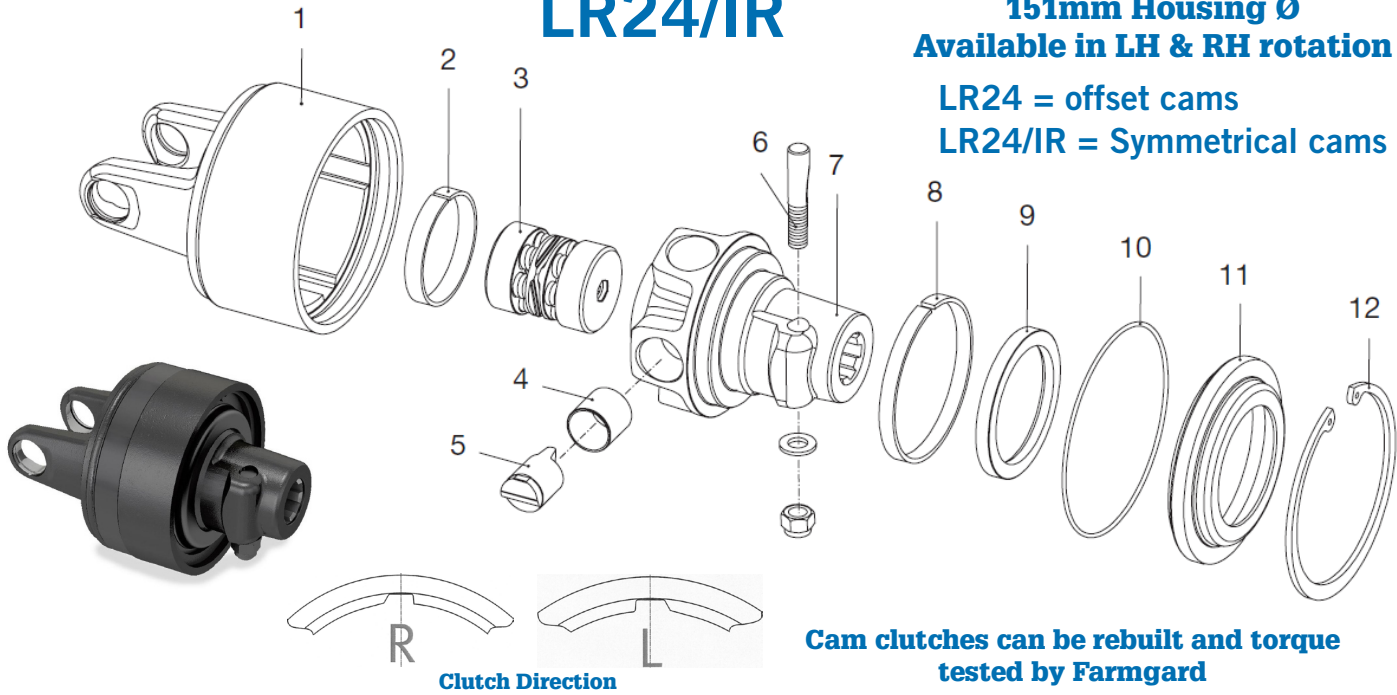


REFERENCE	CODE	DESCRIPTION	NOTES
Complete Clutch	6WG159003	Complete Clutch	Cross size: 30.2 x 79.4
1	4310E1151	Housing	Cross size: 27.0 x 74.6
	4310G1151		Cross size: 30.2 x 79.4
	431061151		Cross size: 30.2 x 91.4
2	240000205	Bushing	
3	421154801	Spring kit	1200 Nm
	421155401		1500 Nm
	421155701		1700 Nm
	421155901		1900 Nm
	421156101		2100 Nm
4	258000100	Sleeve	
5	250000101	Cam	
6	408000047	Taper pin	1 3/8" Z6 - Z21
7	515150301	Hub with taper pin	1 3/8" Z6
	515153701		1 3/8" Z21
8	240000201	Bushing	
9	355006080	Sealing ring	
10	358000006	O-ring	
11	240000202	Cover ring	
12	338000138	Circlip	



CAM CLUTCH: LR24 LR24/IR

Automatic Torque Limiter
4 Cams
151mm Housing Ø
Available in LH & RH rotation
LR24 = offset cams
LR24/IR = Symmetrical cams



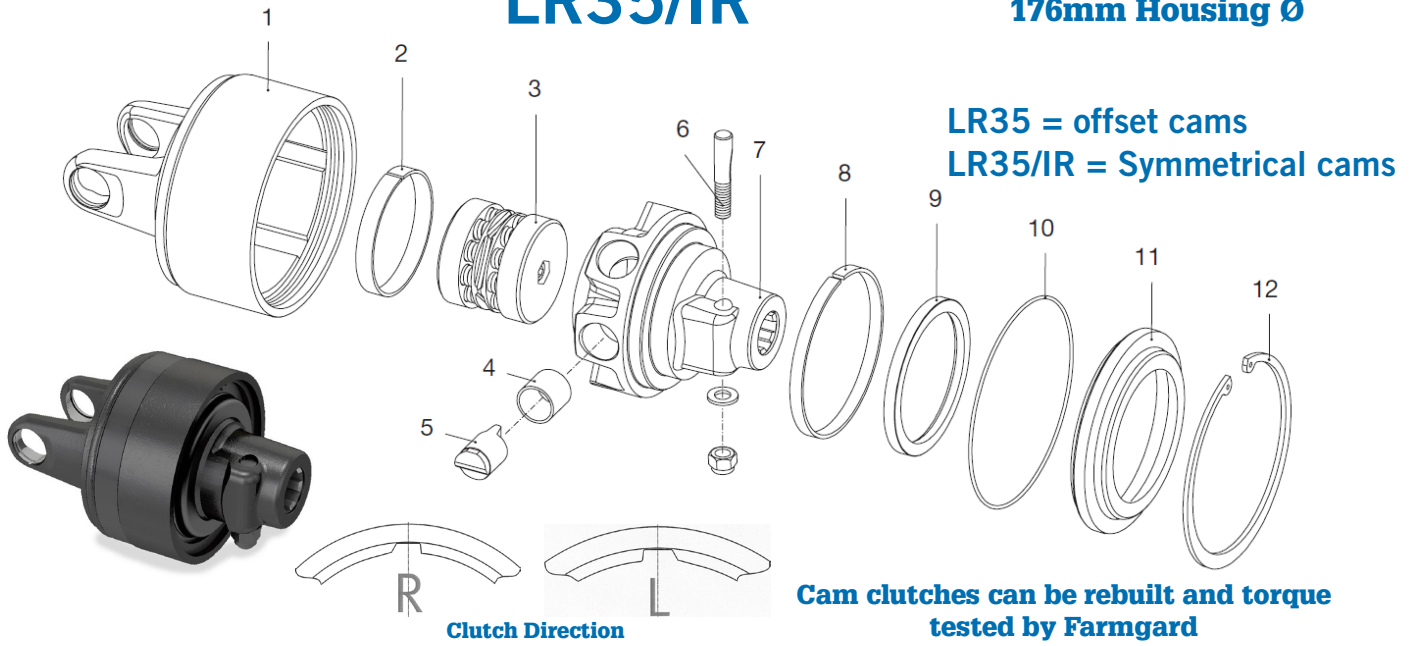
Cam clutches can be rebuilt and torque tested by Farmgard

REFERENCE	LR24 CODES	LR24/IR CODES	DESCRIPTION	NOTES
Complete Clutch *	6WL265003	6WLE62901	Complete Clutch	Cross size: 34.9 x 93.5
1	4310G2152	4310GE151R	Housing	Cross size: 30.2 x 79.4
	431062152	4310HE151R		Cross size: 30.2 x 91.4
	4310L2152	4310LE151R		Cross size: 34.9 x 93.5
	431082152	4310ME151R		Cross size: 34.9 x 106.0
2	240000205	240000205	Bushing	
3	421166502	421166505R	Spring Kit	2500 Nm
	421166601	421166605R		2600 Nm
	421166902	421166905R		2900 Nm
	421167001	421167005R		3000 Nm
4	258000100	258000100	Sleeve	
5	250000108	250000108	Cam	
6	408000047	408000047	Taper pin	1 3/8" Z6 - Z21
	408000052	408000052		1 3/4" Z6 - Z20
7	515160301	515160305R	Hub with taper pin	1 3/8" Z6
	515163701	515163705R		1 3/8" Z21
	515160401	515160405R		1 3/4" Z6
	515163801	515163805R		1 3/4" Z20
8	240000201	240000201	Bushing	
9	355006080	355006080	Sealing ring	
10	358000006	358000006	O-ring	139 x 2.6 mm
11	240000202	240000202	Cover ring	
12	338000138	338000138	Circlip	

***Refer to Farmgard for complete clutch options**

CAM CLUTCH: LR35 LR35/IR

Automatic Torque Limiter
5 Cams
176mm Housing Ø



REFERENCE	LR 35 CODES	LR35/IR CODES	DESCRIPTION	NOTES
Complete Clutch	6WN481038R	6WNF70038R	Complete Clutch	Cross size: 42.0 x 107.5
1	4310L4152	4310LF151R	Housing	Cross size: 34.9 x 93.5
	431084151	4310MF151R		Cross size: 34.9 x 106.0
	431104151			Cross size: 41.0 x 118.0
	4310N4152	4310NF151R		Cross size: 42.0 x 107.5
	4310S4151	4310SF151R		Cross size: 42.0 x 130.0
2	240000711	240000711	Plastic Bushing	
3	421186701		Spring kit	2700 Nm
	421187001	421187005R		3000 Nm
	421188101	421188105R		3500 Nm
	421188801	421188805R		4100 Nm
	421188001	421188005R		4500 Nm
4	258000100	258000100	Sleeve	
5	250000101	250000101	Cam	
6	408000047	408000047	Taper Pin	1 3/8" Z6 - Z21
	408000052	408000052		1 3/4" Z6 - Z20
7	515180301	515180305	Hub with taper pin	1 3/8" Z6
	515183701	515183705		1 3/8" Z21
	515180401	515180405		1 3/4" Z6
	515183801	515183805		1 3/4" Z20
8	240000712	240000712	Bushing	
9	355000105	355000105	Sealing ring	105 x 125 x 10 mm
10	358000007	358000007	O-ring	64.7 x 2.6 mm
11	240000710	240000710	Cover ring	
12	338000162	338000162	Circlip	

***Refer to Farmgard for complete clutch options**



NEED YOUR CLUTCH TESTED?

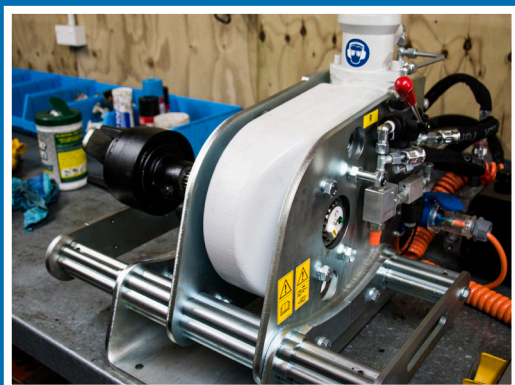
BONDIOLI & PAVESI

COMPUTERISED CAM CLUTCH TESTING



We now have the ability to test your Bondioli & Pavesi Safety Clutch...
CAM CLUTCH , FRICTION CLUTCH & RATCHET TORQUE LIMITERS.

- Up to 5000NM capacity
- We recommend contractors send cam clutches to us every 12 months for preventative maintenance. we will check for signs of wear and will test clutch to ensure it is working to the correct NM setting.
- Torque limiters should be kept in good working order to minimise downtime during busy seasons. Servicing it will help reduce further costs due to breakage because of the clutch not working properly.



ENQUIRE NOW FOR FURTHER DETAILS



BONDIOLI & PAVESI



FARMGARD



CALL FARMGARD
0800 FARMGARD



EMAIL US FOR MORE INFO
parts@farmgard.co.nz



VISIT OUR WEBSITE
farmgard.co.nz

© Copyright 2020. All rights reserved. Specifications subject to change without notice.